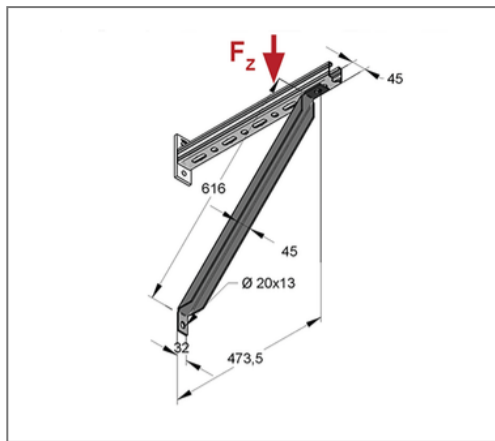
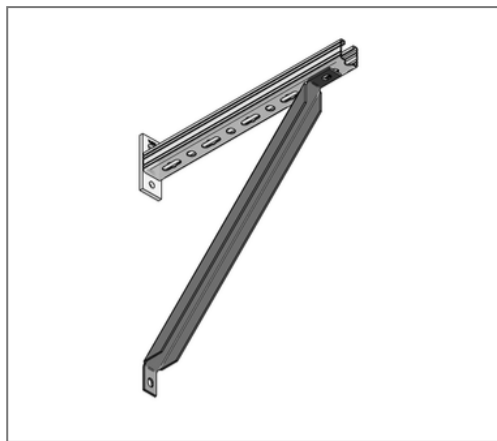


■ Brace 45° L= 616 mm for console 45



Commercial details

Part no.	0815102
EAN/GTIN	4250928449009
Packing unit	10 pcs
Quantity unit	pcs
Weight	2,07 kg/pc
Product group	02-081
Price unit	1

QR code



Specification

Application	To increase the loading capacity of consoles and wall brackets
Console type	45

Technical data

Material	Steel
Material type	S235
Surface	galvanized

Product details

Length	616 mm
Width material	45 mm
load F_z	10 kN
Elongated hole	13x20 mm