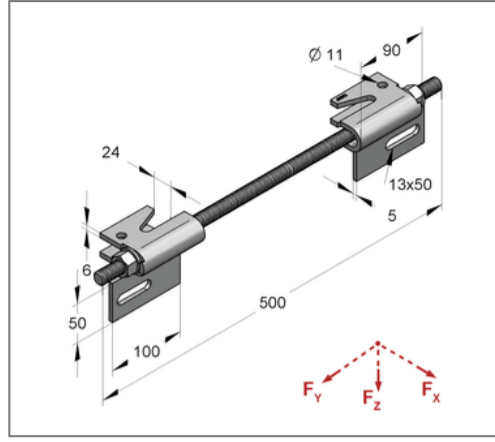
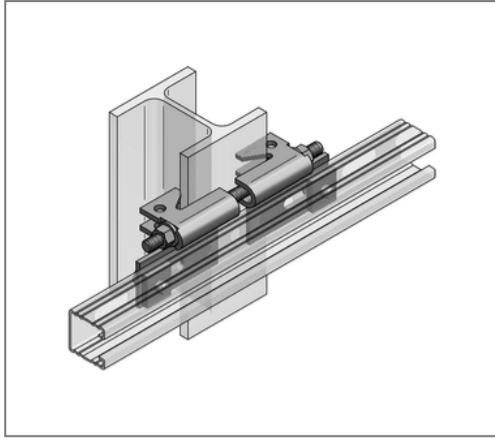


■ Beam connection IB C-profile 45 Type D IV Clamping thickness 13 - 20 mm



Commercial details

Part no.	08146104
EAN/GTIN	4250928420091
Packing unit	1 pcs
Quantity unit	pcs
Weight	2,05 kg/pc
Product group	02-081
Price unit	1

QR code



Certification



Specification

Application	vertical clamping connection of profile rails at steel girder
Delivery	2 x guide cleat 1 x threaded rod FK 8.8 2 x nut 2 x washer

Technical data

Material	Steel
Material type	S235
Surface	hot-dip galvanized

Product details

load F _X	4 kN
load F _Y	4 kN
load F _Z	4 kN
Tightening torque	64 Nm
Threaded rod type	M16x500
Clamping width	110 - 360 mm
Clamping thickness	13 - 20 mm