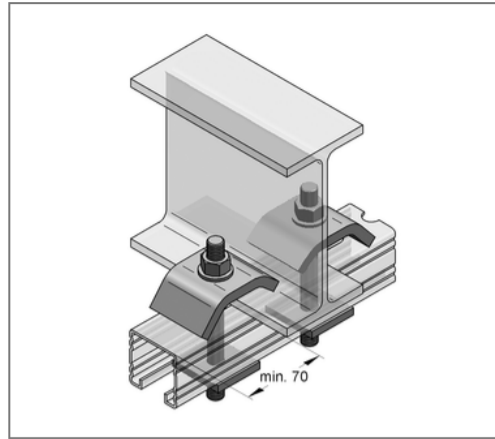
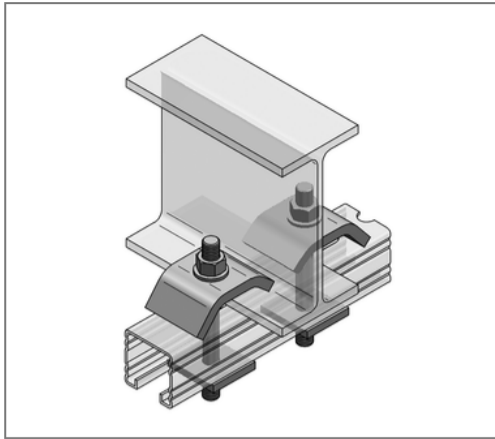


■ Clamping claw Set C-profile 45 max. profile height 60 mm Clamping thickness 26 mm



Commercial details

Part no.	0819527
EAN/GTIN	4250928420671
Packing unit	10 pcs
Quantity unit	pcs
Weight	0,922 kg/pc
Product group	02-081
Price unit	1

QR code



Specification

Application	clamping claws for making a firm clamping area
Profile type	45

Technical data

Material	Steel
Material type	S235
Surface	galvanized