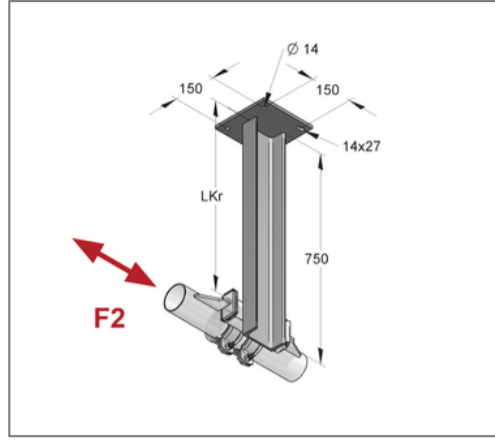
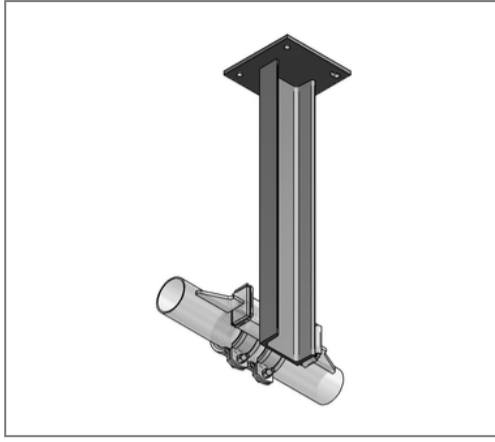


■ Fixpoint console U-profile 120/55 L= 750 mm Plate raw



Commercial details

Part no.	9996491
EAN/GTIN	4250928446923
Packing unit	1 pcs
Quantity unit	pcs
Weight	13,60 kg/pc
Product group	03-002
Price unit	1

QR code



Specification

Application area	Fixpoint console for welding to fixpoints. For type A and B. Must be cut to length on site.
Specification	U-steel: overleaf welded on anchor plate.

Technical data

Material	Steel
Surface	raw

Product details

Width plate	200 mm
Length plate	200 mm
Hole distance	150 mm
Plate thickness	10 mm
Width profile	120 mm
Profile height	55 mm
Length console LKr	750 mm
Elongated hole plate	14x27 mm

Remark

Delivery time	5 working days, ex works
---------------	--------------------------