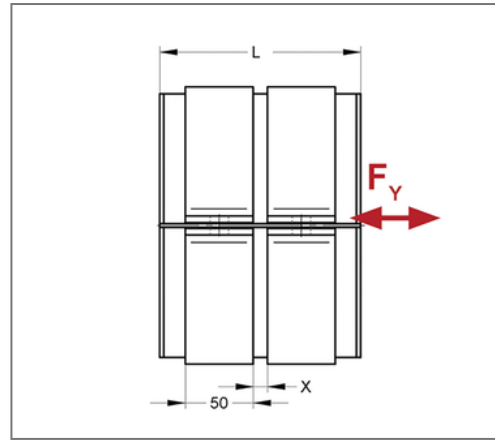
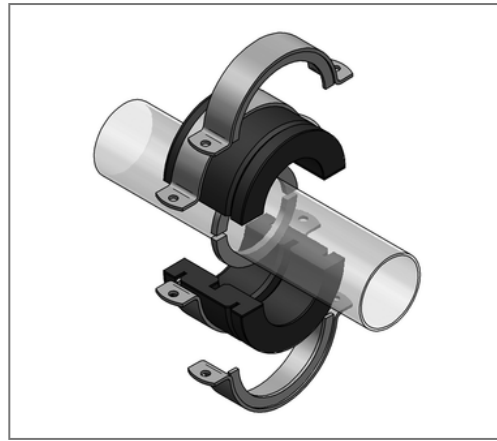
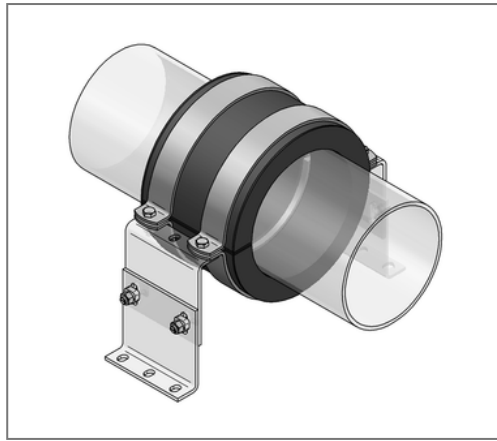


## ■ Insulated fixpoint HV 4 406,4 mm Insulation 40 mm Shell length 204 mm



### Commercial details

Part no.	698400406
EAN/GTIN	4250928441225
Packing unit	1 pcs
Quantity unit	pcs
Weight	13,67 kg/pc
Product group	03-698
Price unit	1

### QR code



### Specification

Application area	Insulated fixpoint mounting of chilled water pipes of steel
Specification	PUR (with natural rubber on front ends) High water vapor diffusion resistance and low thermal conductivity. Acc. AGI the requirements
Delivery	2 x half shell with slot for inner and outer split ring 2 x inner split ring for welding to steel pipe 4 x outer split ring for fixation on substructure

### Technical data

Material	PU
min. temperature resistance	-50 °C
max. temperature resistance	105 °C
Density	200 kg/m <sup>3</sup>

### Product details

Insulation thickness	40 mm
Outer pipe diameter	406,4 mm
Hole distance S	538 mm
Thermal conductivity	0,037 W/mK
Length shell L	204 mm
Width outer split ring B	567 mm
Recommended fixpoint bracket [type]	HV4
load Fy	13,6 kN
load Fz	20,3 kN

### Remark

Note	delivery time on demand
------	-------------------------