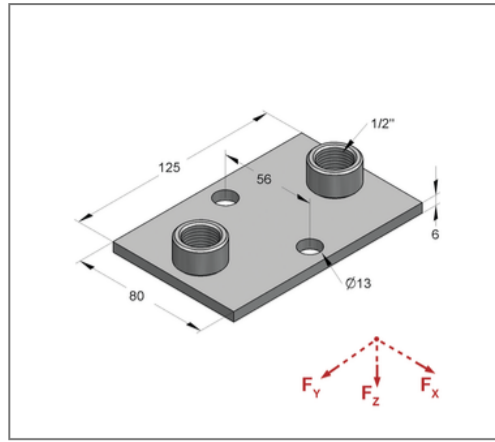
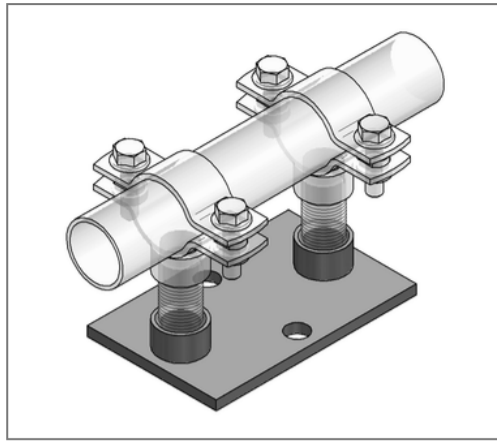


■ Clamping fixpoint FGL Sleeve 2x1/2"



Commercial details

Part no.	0770335
EAN/GTIN	4250928417534
Packing unit	1 pcs
Quantity unit	pcs
Weight	0,531 kg/pc
Product group	03-002
Price unit	1

QR code



Specification

Application area Light fixpoint for pipes up to Ø 46 mm.

Technical data

Material	Steel
Material type	S235
Surface	galvanized
min. temperature resistance	-35 °C
max. temperature resistance	100 °C

Product details

Connection	1/2"
min. outside pipe diameter	20 mm
max. outer pipe diameter	46 mm
Hole-Ø	13 mm
Width plate	80 mm
Length plate	125 mm
Hole distance	56 mm
Plate thickness	6 mm
Number of connections	2
Connection type	Sleeve
load F_x	8 kN
load F_y	1,4 kN
load F_z standing	4 kN
load F_z hanging	10 kN