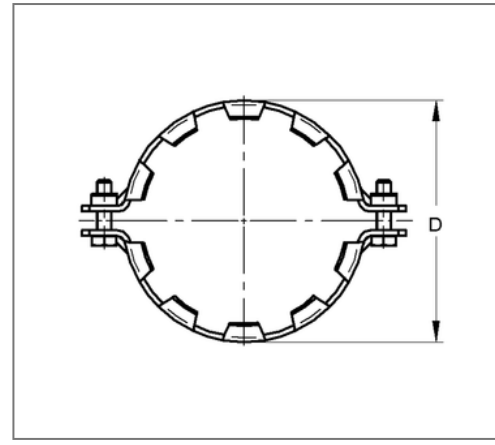
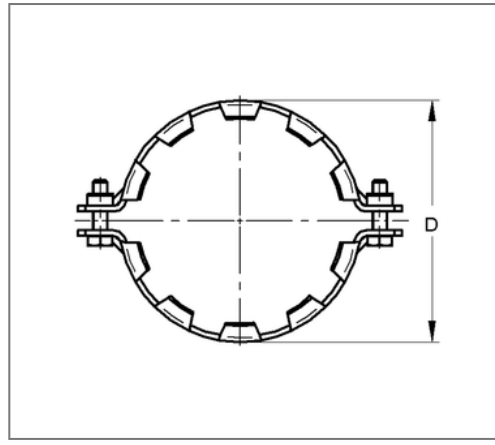
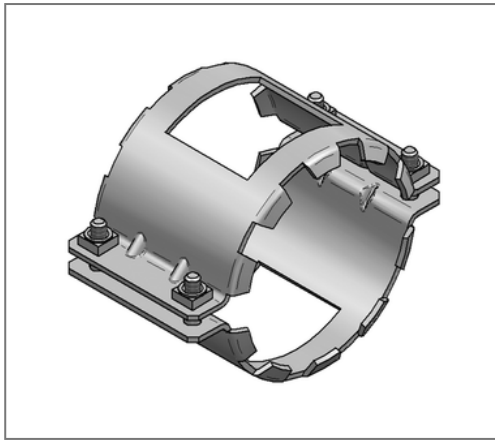


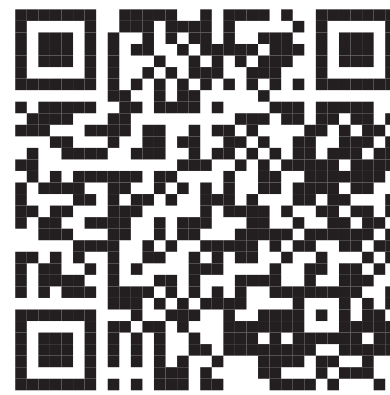
## ■ Grip connector SIMA-Cramp DN 100 OD 110 mm two-part



### Commercial details

Part no.	4473000
EAN/GTIN	4250928439437
Packing unit	10 pcs
Quantity unit	pcs
Weight	0,992 kg/pc
Product group	03-448
Price unit	1

### QR code



### Certification

22 1130 3 94  
MPA NRW

### Technical data

Material	Steel
Material type	S235
Surface	galvanized

### Specification

Application	grip connector without sleeves, drain pipes in area
Specification	connection with connector SIMA >G< two-part

### Product details

Outer pipe diameter	110 mm
Length S	174 mm
Tightening torque	15 Nm
Width pipe clamp strap B	103 mm
max. pressure load	5 bar
Nominal pipe diameter	100 mm
Height D	130 mm