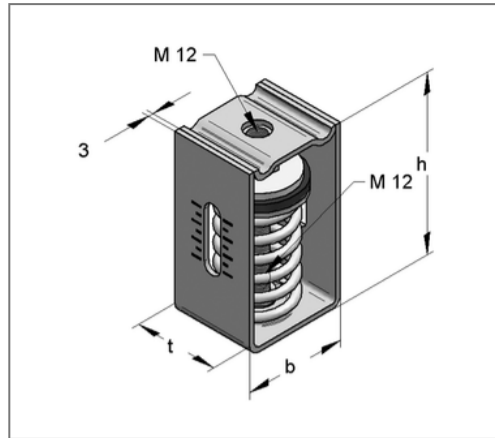
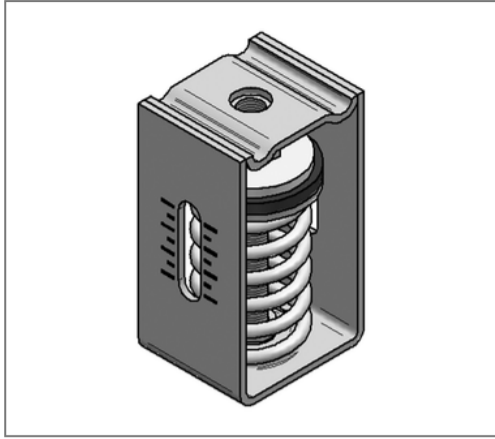


■ Spring hanger FH 1 - 2100 F 0 - 2113 N max. spring deflection 28 mm



Commercial details

Part no.	0794210
EAN/GTIN	4250928419125
Packing unit	1 pcs
Quantity unit	pcs
Weight	1,15 kg/pc
Product group	03-079
Price unit	1

QR code



Specification

Application	Spring isolators as flexible pipe hangers or for elastic mounting of aggregates.
Number of springs	1

Technical data

Material	Steel
Material type	S235
Surface	galvanized

Product details

Connection	M12
Width b	80 mm
Height h	130 mm
Length t	60 mm
Spring rate	75,46 N/mm
max. spring deflection	28 mm
max. load range	2113 N