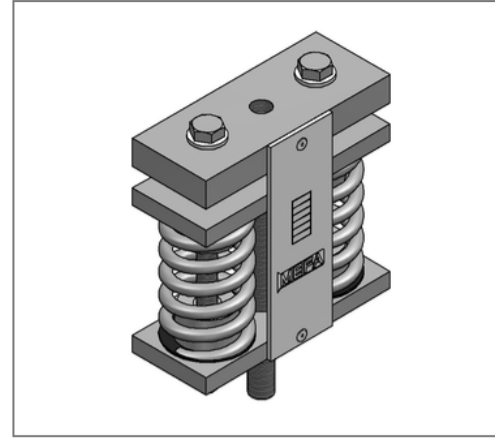
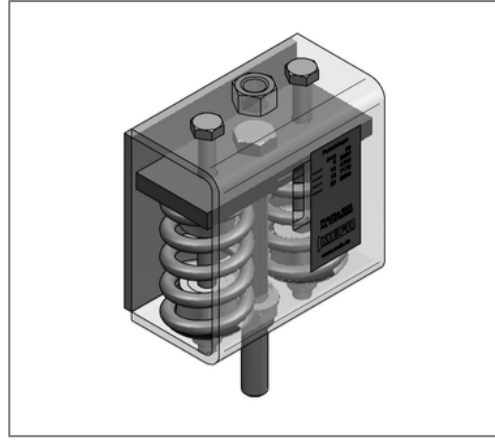
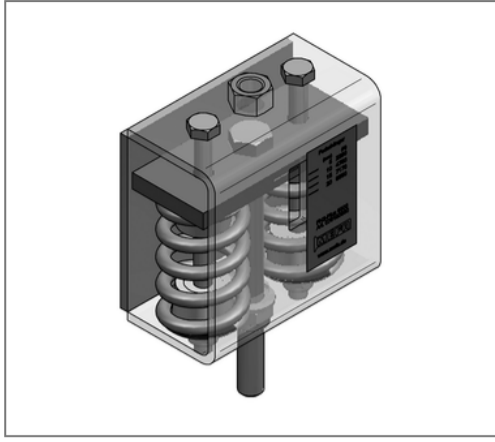


■ Spring hanger FH 2 - 9300 plus F 2386 - 9545 N max. spring deflection 15 mm



Commercial details

Part no.	079180930
EAN/GTIN	4250928449214
Packing unit	1 pcs
Quantity unit	pcs
Weight	5,13 kg/pc
Product group	03-079
Price unit	1

QR code



Specification

Application	Spring isolators as flexible pipe hangers or for elastic mounting of aggregates.
Number of springs	2

Technical data

Material	Steel
Material type	S235
Surface	galvanized

Product details

Connection	M16
Width b	80 mm
Height h	140 mm
Length t	140 mm
Spring rate	477,28 N/mm
max. spring deflection	15 mm
min. load range	2386 N
max. load range	9545 N