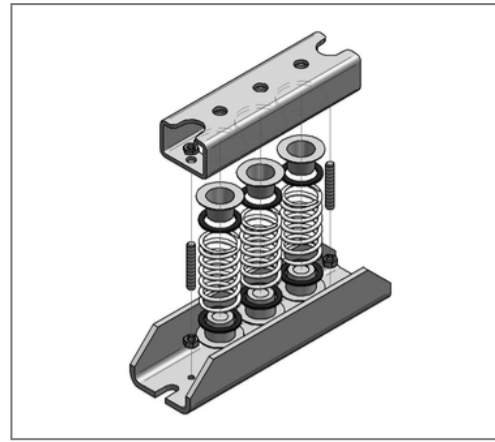
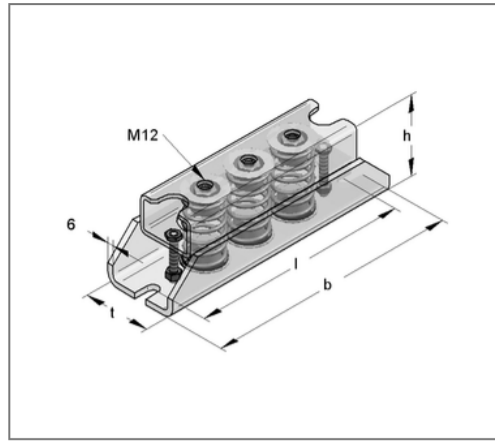
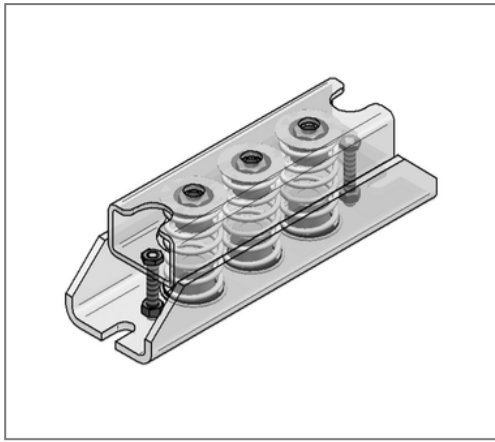


■ Spring bearing FL Type 1 - 1000 F 0 - 1023 N max. spring deflection 26,5 mm



Commercial details

Part no.	07919010
EAN/GTIN	4250928419019
Packing unit	1 pcs
Quantity unit	pcs
Weight	3,12 kg/pc
Product group	03-079
Price unit	1

QR code



Specification

Application	Spring isolators for the elevation of piping or area
Number of springs	3

Technical data

Material	Steel
Material type	S235
Surface	galvanized

Product details

Connection	M12
Width	78 mm
Height	83 mm
Length	260 mm
Spring rate	38,61 N/mm
max. spring deflection	26,5 mm
max. load range	1023 N