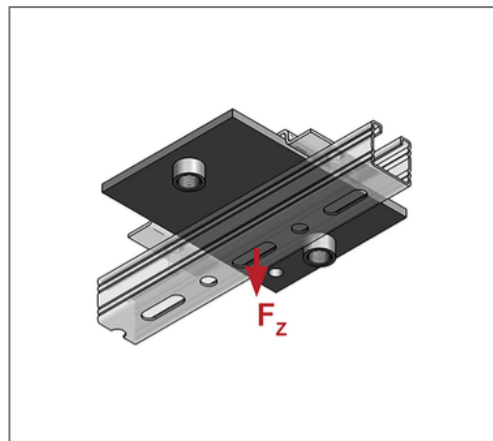
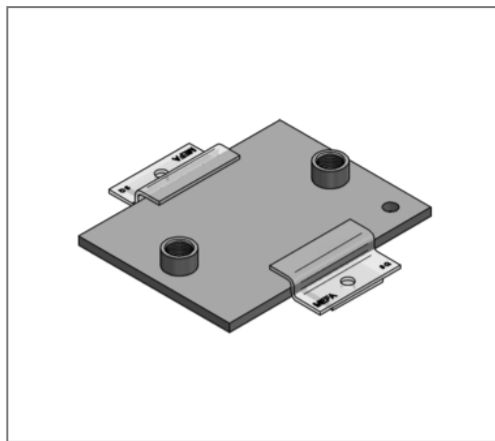
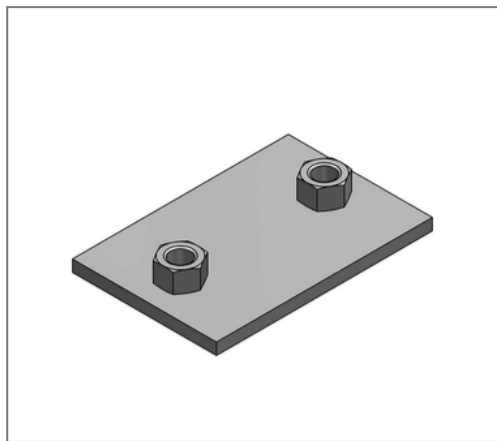


■ Sliding plate 150 x 100 x 8 Connection 2 x M16



Commercial details

| | |
|---------------|---------------|
| Part no. | 0771164 |
| EAN/GTIN | 4250928418210 |
| Packing unit | 1 pcs |
| Quantity unit | pcs |
| Weight | 1,04 kg/pc |
| Product group | 04-077 |
| Price unit | 100 |

QR code



Technical data

| | |
|---------------|------------|
| Material | Steel |
| Material type | S235 |
| Surface | galvanized |

Product details

| | |
|--------------------------------------|--------|
| Connection | M16 |
| Length L | 150 mm |
| Width B | 100 mm |
| Thickness S | 8 mm |
| load F_z | 4,8 kN |
| Axial dimension a | 25 mm |
| Number of connections | 2 |
| max. sliding distance axial hanging | 20 mm |
| max. sliding distance axial standing | 100 mm |