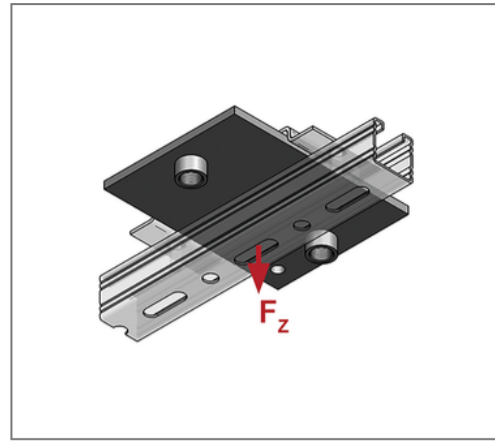
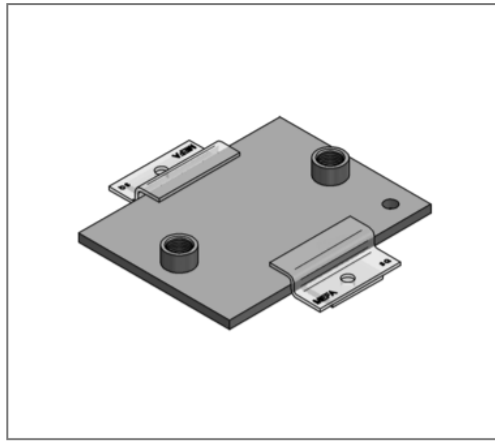


■ Sliding plate 150 x 100 x 8 Connection 2 x 1/2"



Commercial details

Part no.	0771202
EAN/GTIN	4250928418241
Packing unit	1 pcs
Quantity unit	pcs
Weight	1,02 kg/pc
Product group	04-077
Price unit	100

QR code



Technical data

Material	Steel
Material type	S235
Surface	galvanized

Product details

Connection	1/2"
Length L	150 mm
Width B	100 mm
Thickness S	8 mm
load F_z	4,8 kN
Axial dimension a	25 mm
Number of connections	2
max. sliding distance axial hanging	20 mm
max. sliding distance axial standing	100 mm