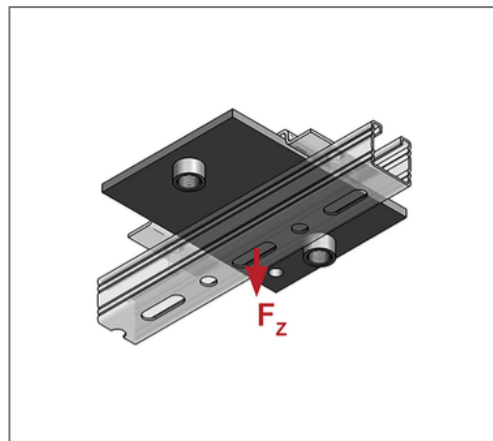
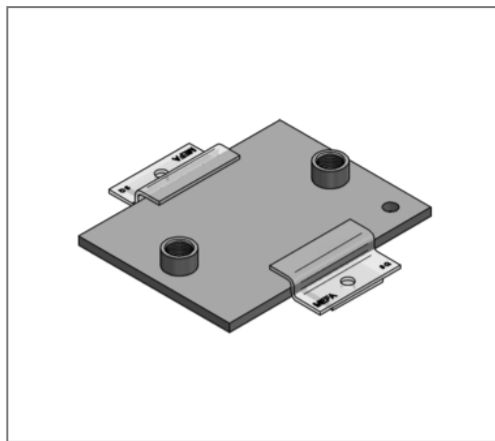
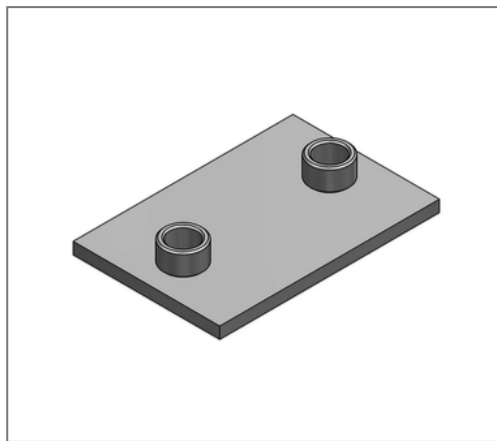


## ■ Sliding plate 200 x 100 x 8 Connection 2 x 1"



### Commercial details

Part no.	0771236
EAN/GTIN	4250928418289
Packing unit	1 pcs
Quantity unit	pcs
Weight	1,44 kg/pc
Product group	04-077
Price unit	100

### QR code



### Technical data

Material	Steel
Material type	S235
Surface	galvanized

### Product details

Connection	1"
Length L	200 mm
Width B	100 mm
Thickness S	8 mm
load $F_z$	3 kN
Axial dimension a	25 mm
Number of connections	2
max. sliding distance axial hanging	70 mm
max. sliding distance axial standing	150 mm