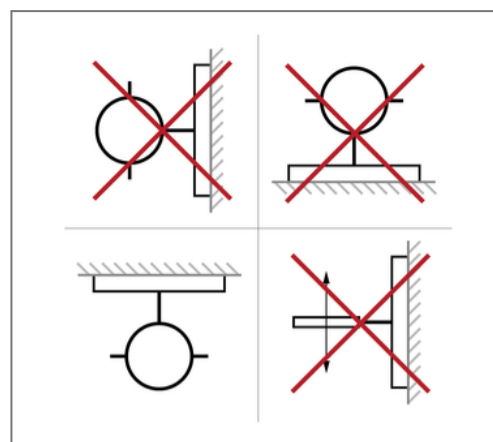
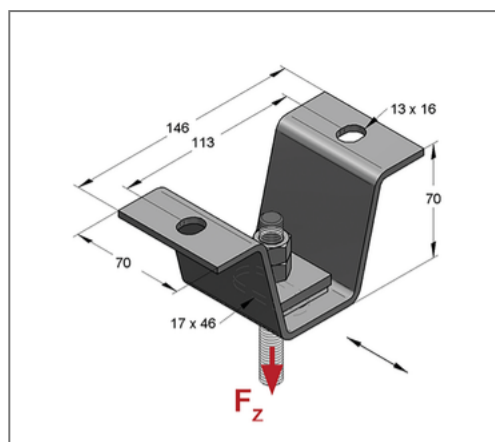
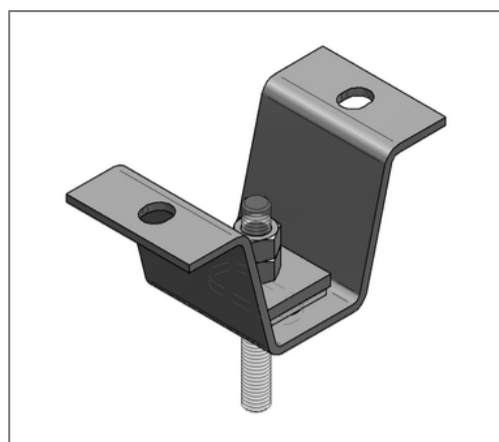


## ■ Ceiling hanger TF adjustable height 41 mm For thread M16



### Commercial details

Part no.	0816639
EAN/GTIN	4250928420442
Packing unit	1 pcs
Quantity unit	pcs
Weight	0,670 kg/pc
Product group	04-159
Price unit	100

### QR code



### Specification

Application	Solid suspension fastener with sliding path 36 mm.
-------------	--

### Technical data

Material	Steel
Material type	S235
Surface	galvanized
min. temperature resistance	-30 °C
max. temperature resistance	110 °C
Static friction factor	0,2 - 0,3

### Product details

Width	70 mm
Height	70 mm
load $F_z$	12 kN
Length	146 mm
For thread	M16
Sliding function	yes
Height adjustable	41 mm
Sliding distance	30 mm
Elongated hole 1	17x46 mm
Elongated hole 2	13x16 mm

### Remark

Delivery	Sliding plate, perforated plate and two nuts
----------	--