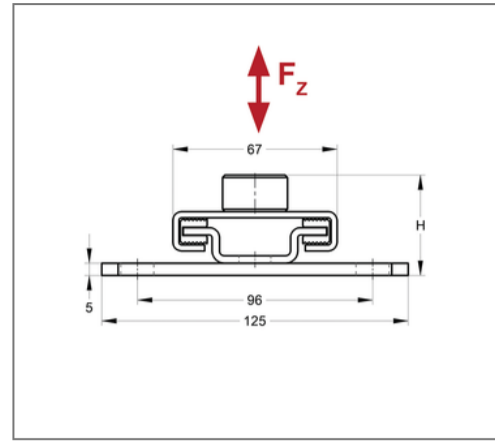
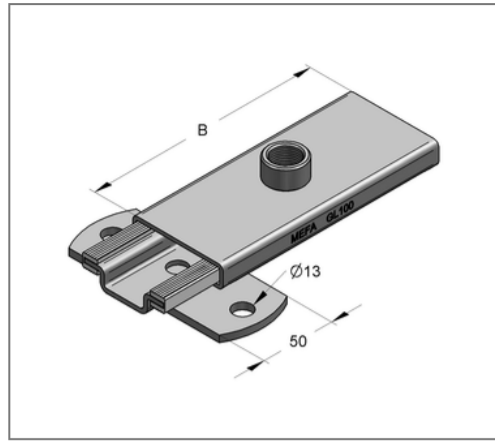
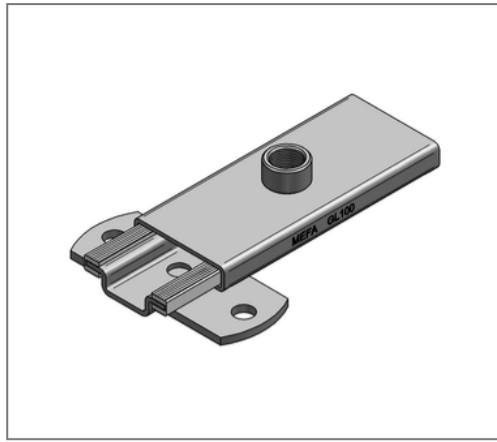


■ Slider axial GL 100 Connection 1 x 1/2" with lug



Commercial details

| | |
|---------------|---------------|
| Part no. | 0770609 |
| EAN/GTIN | 4250928418135 |
| Packing unit | 1 pcs |
| Quantity unit | pcs |
| Weight | 0,759 kg/pc |
| Product group | 04-174 |
| Price unit | 1 |

QR code



Specification

| | |
|------------------|---|
| Application area | absorption of axial length expansion for standing, hanging, horizontal or vertical passed pipes |
| Specification | with lug |

Technical data

| | |
|-------------------------------|-------------|
| Surface | galvanized |
| Material sliding element | Steel |
| Material type sliding element | S235 |
| Material sliding stripe | Plastic |
| Material name sliding stripe | Polyamide 6 |
| min. temperature resistance | -30 °C |
| max. temperature resistance | 110 °C |

Product details

| | |
|-----------------------------|-----------|
| Width | 125 mm |
| Length | 160 mm |
| Construction height | 41 mm |
| Connection | 1 x 1/2" |
| Number of connections | 1 |
| Thread | 1/2" |
| Static friction factor | 0,2 - 0,3 |
| max. sliding distance axial | 68 mm |
| load F_z | 3 kN |
| Hole-Ø | 13 mm |