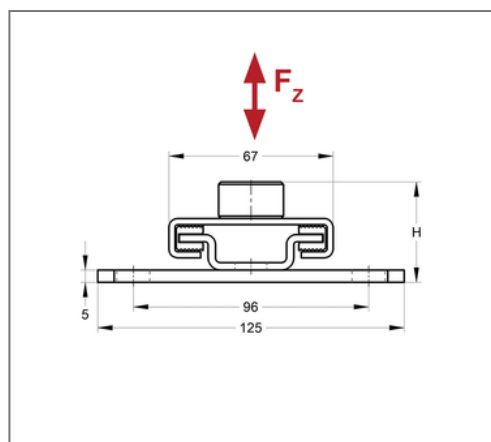
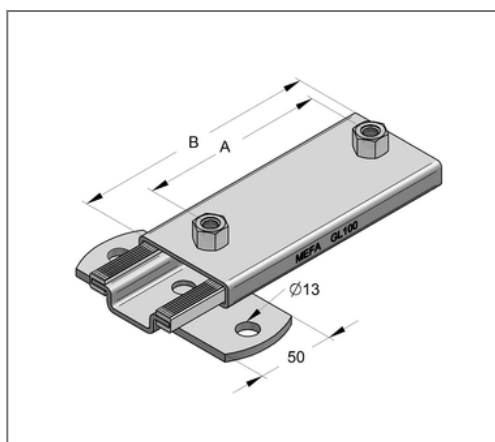
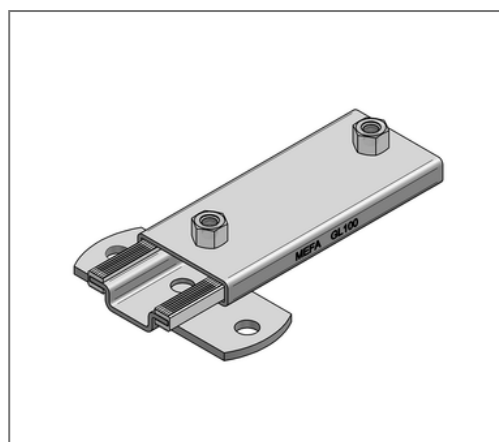


■ Slider axial GL 100 Connection 2 x M16 with lug



Commercial details

Part no.	0770565
EAN/GTIN	4250928418074
Packing unit	1 pcs
Quantity unit	pcs
Weight	0,812 kg/pc
Product group	04-174
Price unit	1

QR code



Specification

Application area	absorption of axial length expansion for standing, hanging, horizontal or vertical passed pipes
Specification	with lug

Technical data

Surface	galvanized
Material sliding element	Steel
Material type sliding element	S235
Material sliding stripe	Plastic
Material name sliding stripe	Polyamide 6
min. temperature resistance	-30 °C
max. temperature resistance	110 °C

Product details

Width	125 mm
Length	160 mm
Construction height	41 mm
Connection	2 x M16
Number of connections	2
Thread	M16
Static friction factor	0,2 - 0,3
max. sliding distance axial	68 mm
load Fz	3 kN
Hole-Ø	13 mm