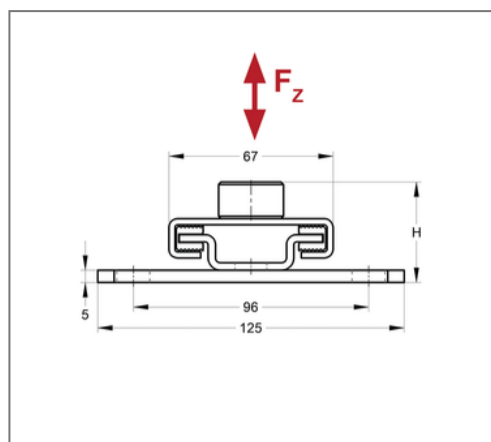
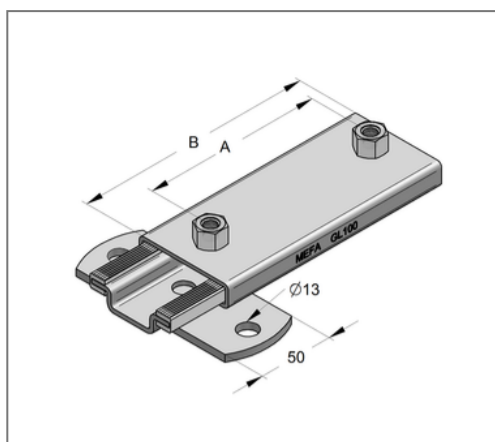
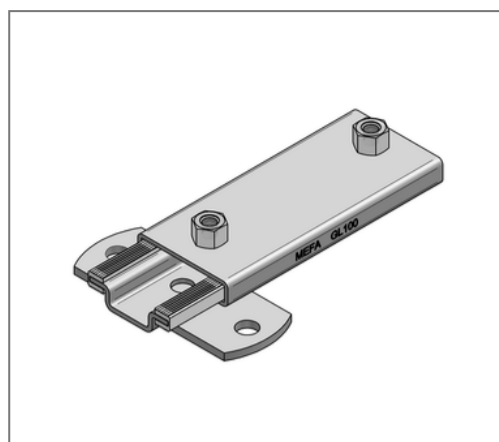


■ Slider axial GL 100 Connection 2 x 1/2" with lug



Commercial details

Part no.	0770611
EAN/GTIN	4250928418142
Packing unit	1 pcs
Quantity unit	pcs
Weight	0,790 kg/pc
Product group	04-174
Price unit	1

QR code



Specification

Application area	absorption of axial length expansion for standing, hanging, horizontal or vertical passed pipes
Specification	with lug

Technical data

Surface	galvanized
Material sliding element	Steel
Material type sliding element	S235
Material sliding stripe	Plastic
Material name sliding stripe	Polyamide 6
min. temperature resistance	-30 °C
max. temperature resistance	110 °C

Product details

Width	125 mm
Length	160 mm
Construction height	41 mm
Connection	2 x 1/2"
Number of connections	2
Thread	1/2"
Static friction factor	0,2 - 0,3
max. sliding distance axial	68 mm
load F_z	3 kN
Hole-Ø	13 mm