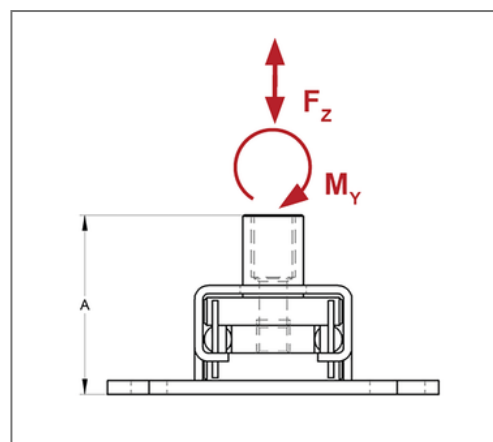
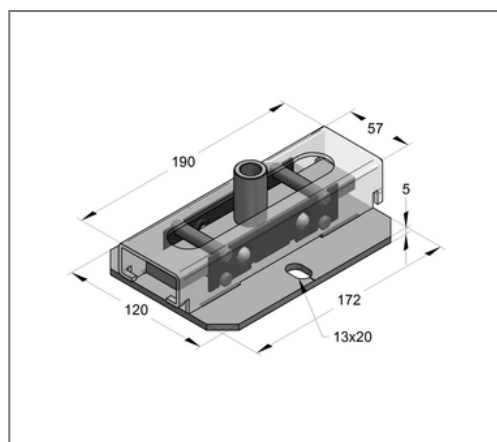
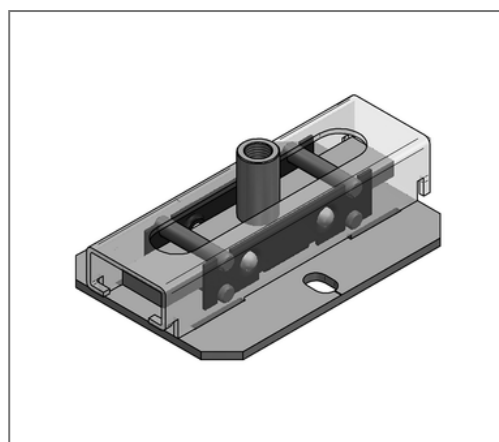


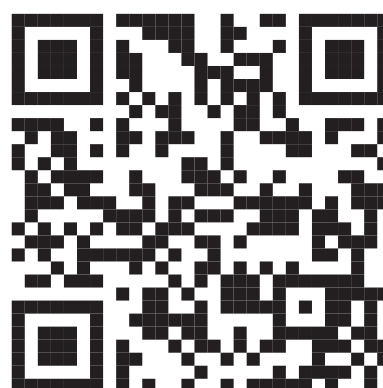
## ■ Roller bearing axial Connection M10



### Commercial details

|               |               |
|---------------|---------------|
| Part no.      | 175811811     |
| EAN/GTIN      | 4250928448798 |
| Packing unit  | 1 pcs         |
| Quantity unit | pcs           |
| Weight        | 1,93 kg/pc    |
| Product group | 04-175        |
| Price unit    | 1             |

### QR code



### Specification

Application absorption of axial length expansion for standing, area hanging, horizontal or vertical passed pipes

### Technical data

|                             |              |
|-----------------------------|--------------|
| Material                    | Steel        |
| Material type               | S235         |
| Surface                     | galvanized   |
| max. temperature resistance | 300 °C       |
| max. sliding distance axial | 120 mm       |
| rolling resistance          | 0,004 - 0,02 |

### Product details

|                      |          |
|----------------------|----------|
| Connection           | M10      |
| Width                | 120 mm   |
| Length               | 190 mm   |
| load $F_z$           | 4 kN     |
| Hole distance        | 100 mm   |
| Construction height  | 65 mm    |
| limited torque $M_y$ | 150 Nm   |
| Elongated hole       | 13x20 mm |