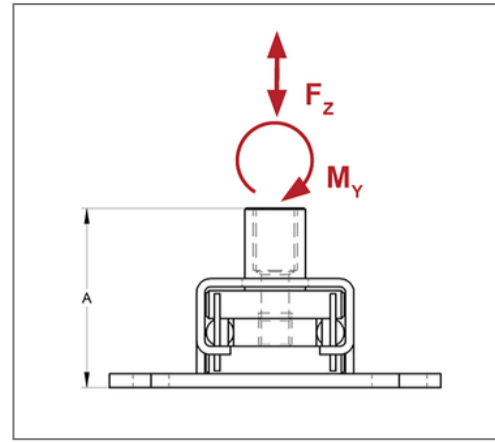
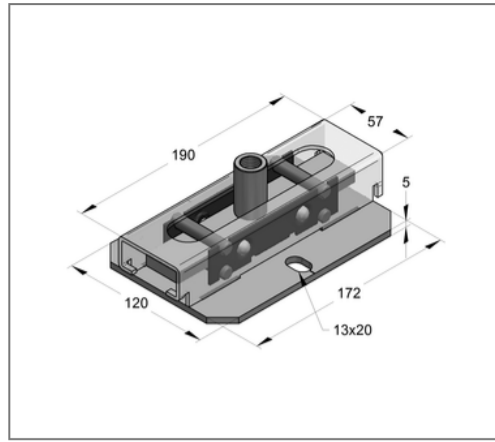
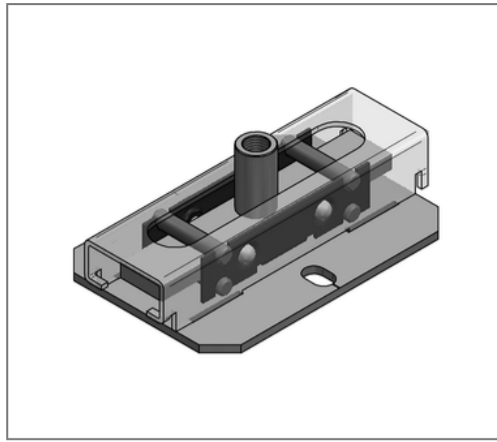


■ Roller bearing axial Connection 1/2"



Commercial details

Part no.	175811839
EAN/GTIN	4250928437396
Packing unit	1 pcs
Quantity unit	pcs
Weight	1,92 kg/pc
Product group	04-175
Price unit	1

QR code



Specification

Application absorption of axial length expansion for standing, area hanging, horizontal or vertical passed pipes

Technical data

Material	Steel
Material type	S235
Surface	galvanized
max. temperature resistance	300 °C
max. sliding distance axial	120 mm
rolling resistance	0,004 - 0,02

Product details

Connection	1/2"
Width	120 mm
Length	190 mm
load F_z	4 kN
Hole distance	100 mm
Construction height	45 mm
limited torque M_y	150 Nm
Elongated hole	13x20 mm