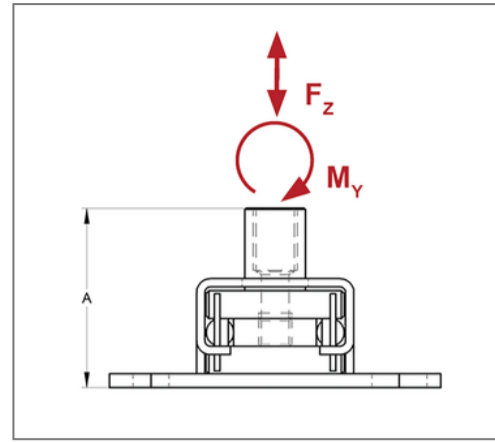
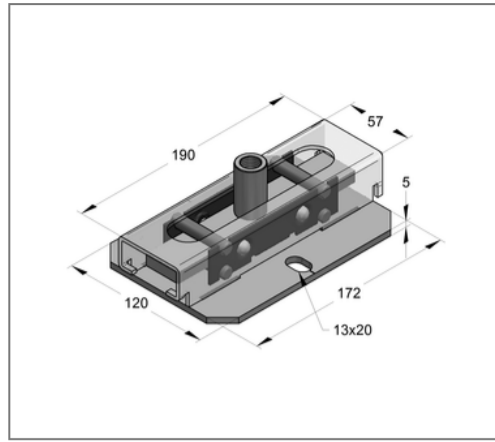
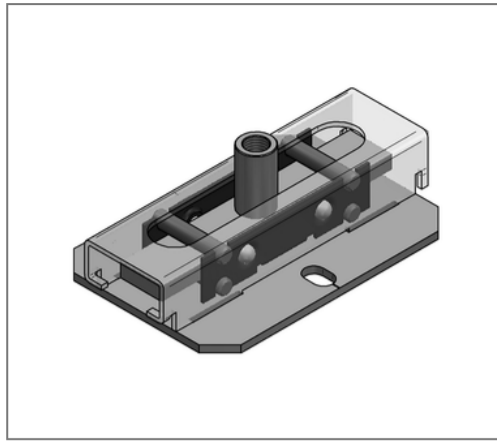


## ■ Roller bearing axial Connection 3/4"



### Commercial details

Part no.	175811840
EAN/GTIN	4250928437402
Packing unit	1 pcs
Quantity unit	pcs
Weight	2,09 kg/pc
Product group	04-175
Price unit	1

### QR code



### Specification

Application absorption of axial length expansion for standing, area hanging, horizontal or vertical passed pipes

### Technical data

Material	Steel
Material type	S235
Surface	galvanized
max. temperature resistance	300 °C
max. sliding distance axial	120 mm
rolling resistance	0,004 - 0,02

### Product details

Connection	3/4"
Width	120 mm
Length	190 mm
load $F_{Z}$	4 kN
Hole distance	100 mm
Construction height	86 mm
limited torque $M_{Y}$	150 Nm
Elongated hole	13x20 mm