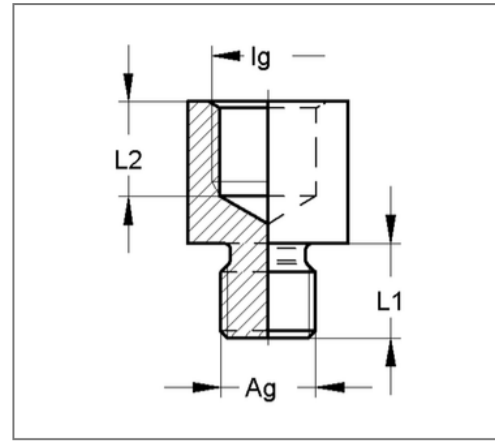
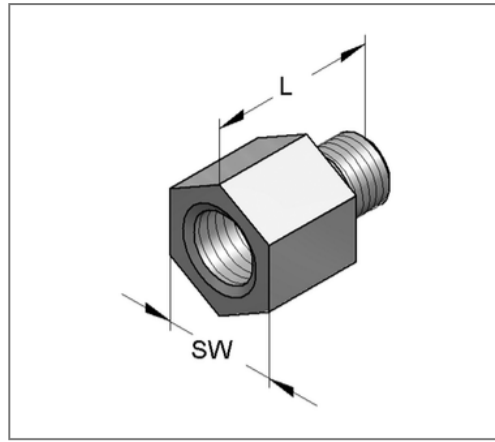
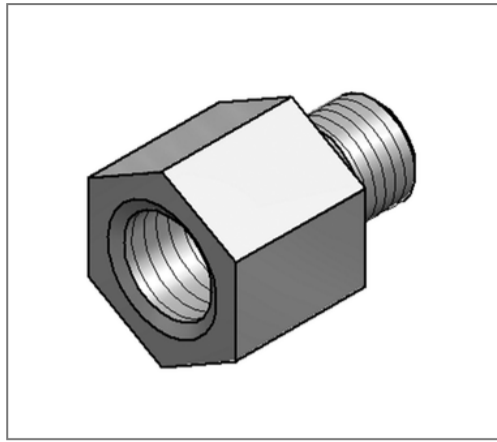


## ■ Reducer hexagon hexagon female thread M12 male thread M10 L=25 mm



### Commercial details

Part no.	0720011
EAN/GTIN	4250928416353
Packing unit	100 pcs
Quantity unit	pcs
Weight	0,0280 kg/pc
Product group	05-072
Price unit	100

### QR code



### Technical data

Material	Steel
Surface	galvanized

### Product details

Length H	25 mm
Female thread Ig	M12
Length female thread L1	10 mm
Wrench size	17
Male thread Ag	M10
Length male thread L1	10 mm