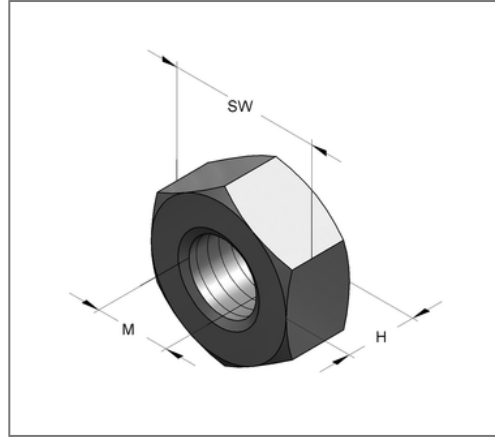
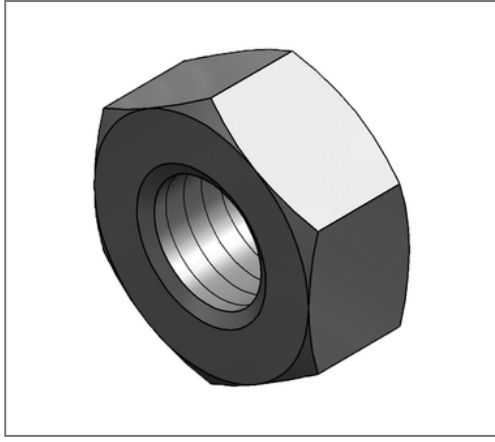


■ Hexagon nut M10 SW 17



Commercial details

Part no.	4120477
EAN/GTIN	4250928438898
Packing unit	100 pcs
Quantity unit	pcs
Weight	0,0120 kg/pc
Product group	05-412
Price unit	100

QR code



Technical data

Material	Steel
Surface	galvanized

Product details

Höhe H	8 mm
Thread M	M10
Wrench size SW	17

Remark

Notice	DIN EN ISO 4032
--------	-----------------