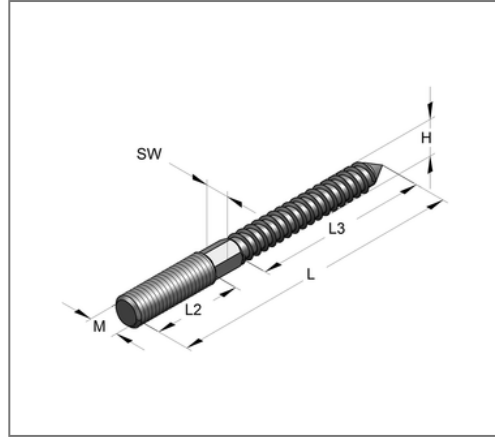


## ■ Stair bolt M10 H8,8 TX 25 Length 80 mm SW 8 galv.



### Commercial details

Part no.	3609081
EAN/GTIN	4250928438690
Packing unit	100 pcs
Quantity unit	pcs
Weight	0,0288 kg/pc
Product group	05-360
Price unit	100

### QR code



### Technical data

Material	Steel
Surface	galvanized

### Product details

Thread M	M10
Wood thread H	H8,8
Length wood thread L3	45 mm
Length L	80 mm
Wrench size SW	8
Type dowel	12x60

### Remark

Specification	multi-tooth TX 25
---------------	-------------------