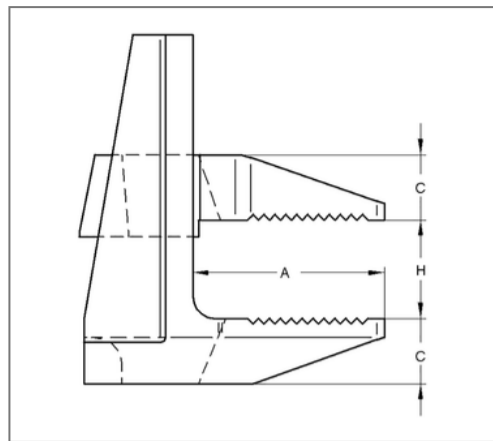
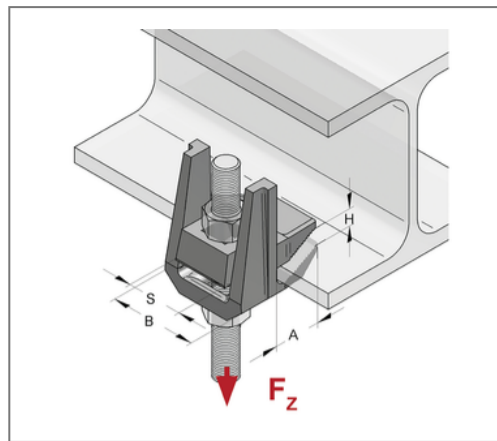
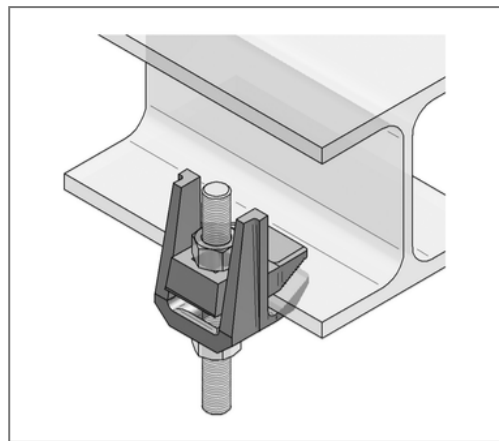


■ Beam clamp Cast iron F3 Clamping range 1 - 40 mm Hole for M12



Commercial details

Part no.	0579637
EAN/GTIN	4250928414762
Packing unit	1 pcs
Quantity unit	pcs
Weight	0,350 kg/pc
Product group	05-057
Price unit	1

QR code



Certification



Specification

Brand	Lindapter
Application area	mounting of suspensions on steel girder
Type of attachment	with pass hole

Technical data

Material	Malleable cast iron
Surface	hot-dip galvanized
min. clamping thickness H	1 mm
max. clamping thickness H	40 mm

Product details

load F_z	2 kN
Thread	for M12
Thickness C	12 mm
Tightening torque	39 Nm