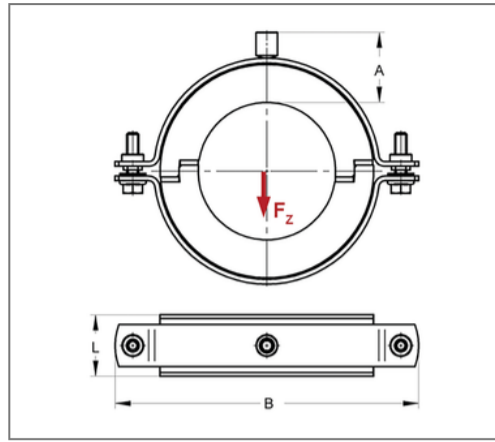
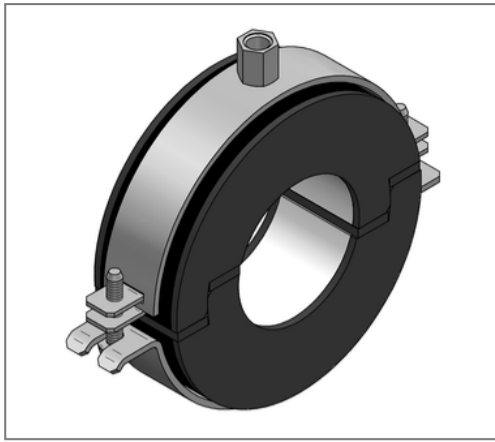


■ Insulated pipe clamp Polar Plus 33,7 mm Insulation 20 M8/M10



Commercial details

| | |
|---------------|---------------|
| Part no. | 74620340 |
| EAN/GTIN | 4250928442529 |
| Packing unit | 20 pcs |
| Quantity unit | pcs |
| Weight | 0,141 kg/pc |
| Product group | 06-746 |
| Price unit | 1 |

QR code



Certification



Specification

| | |
|------------------|--|
| Application area | A thermal decoupled mounting of tubes guarantees a reliable prevention of condensate for refrigeration, air-conditioning and drinking water technologies in the sector pipe-clamping |
| Insulation body | AC/PU |

Technical data

| | |
|-----------------------------------|-----------------------|
| Material | Steel |
| Material type | DD11 |
| Surface | galvanized |
| Class | B2 |
| min. temperature resistance | -50 °C |
| max. temperature resistance | 105 °C |
| Thermal conductivity | 0,031 W/mK |
| Density shell | 145 kg/m ³ |
| Water vapour diffusion resistance | 36000 μ |

Product details

| | |
|----------------------|------------------------|
| Connection | M8/M10 |
| Connection height A | 38 mm |
| Width B | 113 mm |
| Insulation thickness | 20 mm |
| load F _z | 0,32 kN |
| Length shell L | 36 mm |
| statical load shell | 0,38 N/mm ² |

Remark

| | |
|--------|--|
| Notice | Von Umtausch und Rücknahme ausgeschlossen. Sonderanfertigungen auf Anfrage. |
|--------|--|