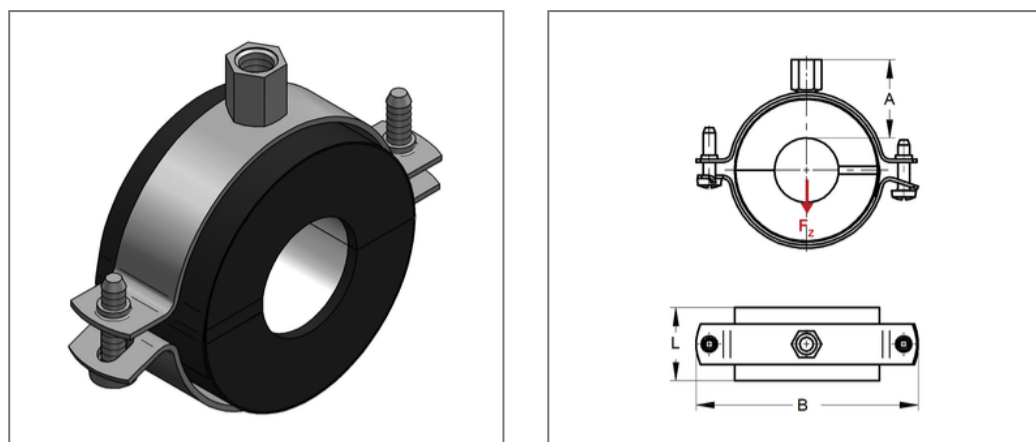


■ Insulated pipe clamp Husky IV 19 139,7 mm Insulation 25,2 M10/M12



Commercial details

Part no.	6841400
EAN/GTIN	4250928440907
Packing unit	4 pcs
Quantity unit	pcs
Weight	1,02 kg/pc
Product group	06-684
Price unit	1

QR code



Certification



Specification

Application area	A thermal decoupled mounting of tubes guarantees a reliable prevention of condensate for refrigeration, air-conditioning and drinking water technologies in the sector pipe-clamping
Insulation body	KA/PU

Technical data

Material	Steel
Material type	S235
Material coat	Plastic
Surface	galvanized
Class	B2
min. temperature resistance	-45 °C
max. temperature resistance	105 °C
Thermal conductivity	0,029 W/mK
Density shell	120 kg/m ³
Water vapour diffusion resistance	20000 μ

Product details

Connection	M10/M12
Connection height A	51 mm
Width B	265 mm
Insulation thickness	25,2 mm
load F _Z	1,54 kN
Length shell L	51 mm
statical load shell	0,27 N/mm ²

Remark

Notice exchange and returns are excluded. Special design on request.