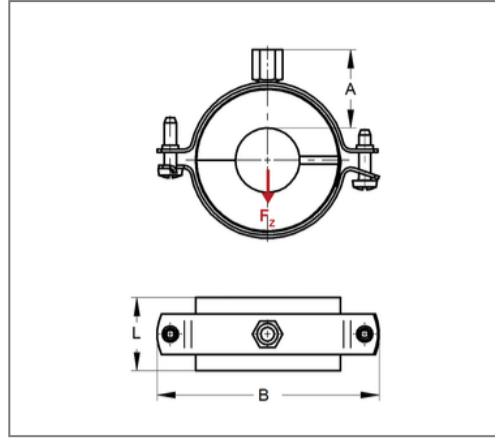
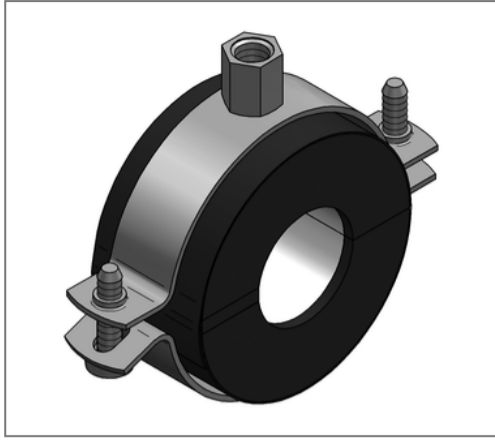


■ Insulated pipe clamp Husky IV 19 273 mm Insulation 25 M16



Commercial details

Part no.	68427304
EAN/GTIN	4250928440945
Packing unit	1 pcs
Quantity unit	pcs
Weight	2,68 kg/pc
Product group	06-684
Price unit	1

QR code



Certification



Specification

Application area	A thermal decoupled mounting of tubes guarantees a reliable prevention of condensate for refrigeration, air-conditioning and drinking water technologies in the sector pipe-clamping
Insulation body	KA/PU

Technical data

Material	Steel
Material type	S235
Material coat	Plastic
Surface	galvanized
Class	B2
min. temperature resistance	-45 °C
max. temperature resistance	105 °C
Thermal conductivity	0,029 W/mK
Density shell	120 kg/m ³
Water vapour diffusion resistance	20000 μ

Product details

Connection	M16
Connection height A	42 mm
Width B	402 mm
Insulation thickness	25 mm
load Fz	4,17 kN
Length shell L	66 mm
statical load shell	0,27 N/mm ²

Remark

Notice Von Umtausch und Rücknahme ausgeschlossen.
Sonderanfertigungen auf Anfrage.