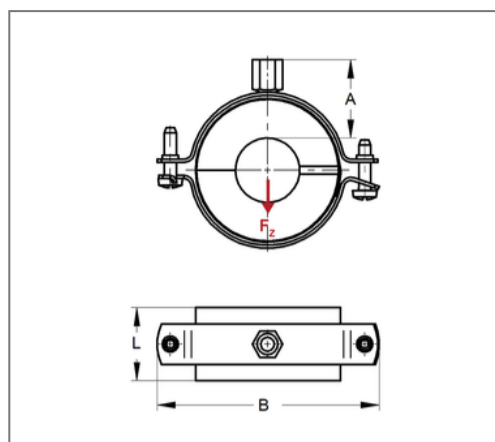


■ Insulated pipe clamp Husky IV 19 323,9 mm Insulation 26 M16



Commercial details

Part no.	68432404
EAN/GTIN	4250928440952
Packing unit	1 pcs
Quantity unit	pcs
Weight	3,07 kg/pc
Product group	06-684
Price unit	1

QR code



Certification



Specification

Application area	A thermal decoupled mounting of tubes guarantees a reliable prevention of condensate for refrigeration, air-conditioning and drinking water technologies in the sector pipe-clamping
Insulation body	KA/PU

Technical data

Material	Steel
Material type	S235
Material coat	Plastic
Surface	galvanized
Class	B2
min. temperature resistance	-45 °C
max. temperature resistance	105 °C
Thermal conductivity	0,029 W/mK
Density shell	120 kg/m ³
Water vapour diffusion resistance	20000 μ

Product details

Connection	M16
Connection height A	43 mm
Width B	457 mm
Insulation thickness	26 mm
load Fz	4,95 kN
Length shell L	66 mm
statical load shell	0,27 N/mm ²

Remark

Notice	Von Umtausch und Rücknahme ausgeschlossen. Sonderanfertigungen auf Anfrage.
Note	delivery time on demand