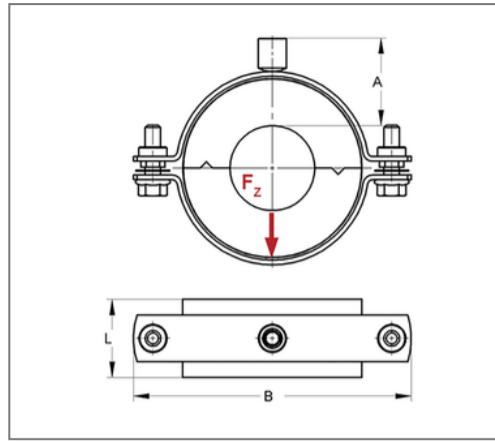
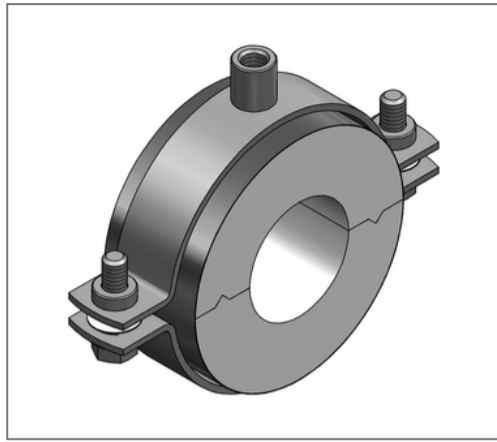


■ Insulated pipe clamp RG80s ALU/PU 17,2 mm Insulation 40 x 40 mm M8/M10



Commercial details

| | |
|---------------|---------------|
| Part no. | 71401848 |
| EAN/GTIN | 4250928441683 |
| Packing unit | 1 pcs |
| Quantity unit | pcs |
| Weight | 0,193 kg/pc |
| Product group | 06-714 |
| Price unit | 1 |

QR code



Certification



Specification

| | |
|------------------|--|
| Application area | A thermal decoupled mounting of tubes guarantees a reliable prevention of condensate for refrigeration, air-conditioning and drinking water technologies in the sector pipe-clamping |
| Insulation body | ALU/PU |

Technical data

| | |
|-----------------------------------|------------------------|
| Material | Steel |
| Material type | DD11 |
| Material coat | Aluminum foil |
| Surface | galvanized |
| Class | B2 |
| min. temperature resistance | -50 °C |
| max. temperature resistance | 120 °C |
| Thermal conductivity | 0,025 W/mK |
| Density shell | 80 kg/m ³ |
| Density coat | 2700 kg/m ³ |
| Thicknes coat | 0,08 mm |
| Water vapour diffusion resistance | 18750 μ |

Product details

| | |
|----------------------|-----------------------|
| Connection | M8/M10 |
| Connection height A | 58 mm |
| Width B | 141 mm |
| Insulation thickness | 40 mm |
| load F _z | 0,1 kN |
| Length shell L | 40 mm |
| statical load shell | 0,1 N/mm ² |

Remark

| | |
|---------------|--|
| Delivery time | 5 working days, ex works |
| Notice | Von Umtausch und Rücknahme ausgeschlossen. |