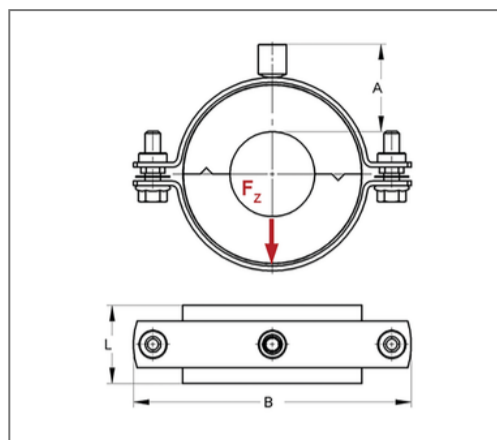
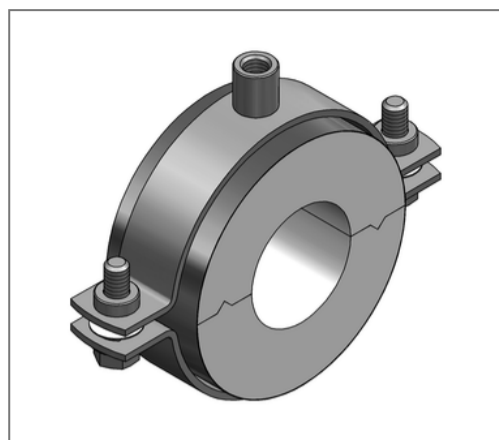


■ Insulated pipe clamp RG80s ALU/PU 139,7 mm Insulation 40 x 100 mm M10/M12



Commercial details

Part no.	76214042
EAN/GTIN	4250928444752
Packing unit	1 pcs
Quantity unit	pcs
Weight	0,878 kg/pc
Product group	06-762
Price unit	1

QR code



Certification



Specification

Application area	A thermal decoupled mounting of tubes guarantees a reliable prevention of condensate for refrigeration, air-conditioning and drinking water technologies in the sector pipe-clamping
Insulation body	ALU/PU

Technical data

Material	Steel
Material type	S235
Material coat	Aluminum foil
Surface	galvanized
Class	B2
min. temperature resistance	-50 °C
max. temperature resistance	120 °C
Thermal conductivity	0,025 W/mK
Density shell	80 kg/m ³
Density coat	2700 kg/m ³
Thicknes coat	0,08 mm
Water vapour diffusion resistance	18750 μ

Product details

Connection	M10/M12
Connection height A	65 mm
Width B	297 mm
Insulation thickness	40 mm
load F _z	1,1 kN
Length shell L	100 mm

Remark

Delivery time	5 working days, ex works
Notice	Von Umtausch und Rücknahme ausgeschlossen.

Product details

statical load shell

0,1 N/mm²