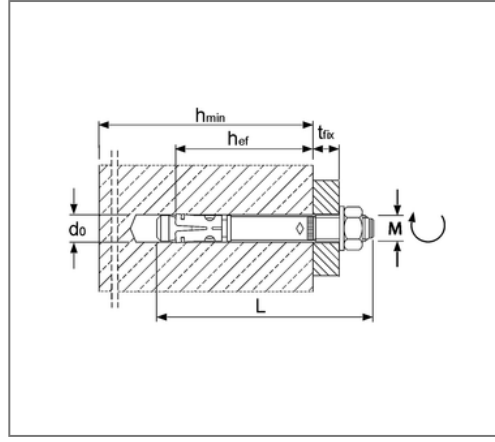


■ Bolt anchor BZ plus M10 Length thread 42 mm Steel



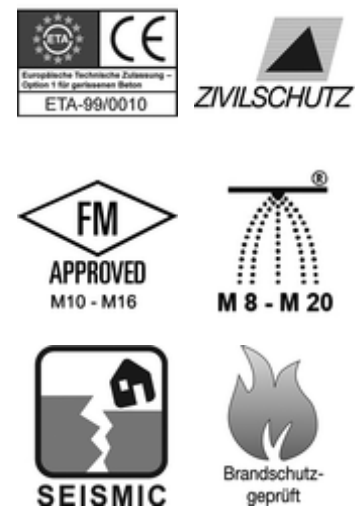
Commercial details

Part no.	221110010
EAN/GTIN	4043315045423
Packing unit	50 pcs
Quantity unit	pcs
Weight	0,0588 kg/pc
Product group	07-221
Price unit	100

QR code



Certification



Specification

Brand	MKT
Application	For cracked and non-cracked concrete C20/25 to area C50/60.

Technical data

Material	Steel
Surface	galvanized

Product details

Clamping thickness	10 mm
max. clamping thickness red.	30 mm
Drill diameter	10 mm
Drilling hole depth	75 mm
Drilling hole depth red.	55 mm
Setting depth	68 mm
Depth of anchoring	60 mm
Depth of anchoring red.	40 mm
Length dowel	90 mm
Thread	M10

Remark

Delivery time	V4A - 3 working days, ex works
---------------	--------------------------------