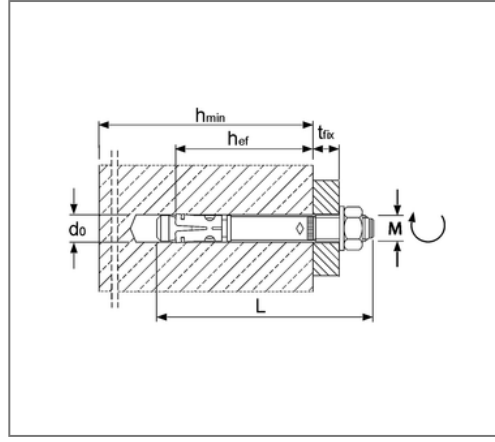


## ■ Bolt anchor BZ plus M16 Length thread 66 mm Steel



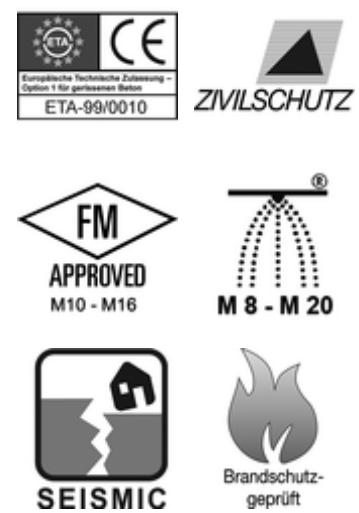
### Commercial details

Part no.	221116025
EAN/GTIN	4043315045126
Packing unit	20 pcs
Quantity unit	pcs
Weight	0,230 kg/pc
Product group	07-221
Price unit	100

### QR code



### Certification



### Specification

Brand	MKT
Application	For cracked and non-cracked concrete C20/25 to C50/60.

### Technical data

Material	Steel
Surface	galvanized

### Product details

Clamping thickness	25 mm
max. clamping thickness red.	45 mm
Drill diameter	16 mm
Drilling hole depth	110 mm
Drilling hole depth red.	90 mm
Setting depth	97 mm
Depth of anchoring	85 mm
Depth of anchoring red.	65 mm
Length dowel	145 mm
Thread	M16

### Remark

Delivery time	V4A - 3 working days, ex works
---------------	--------------------------------