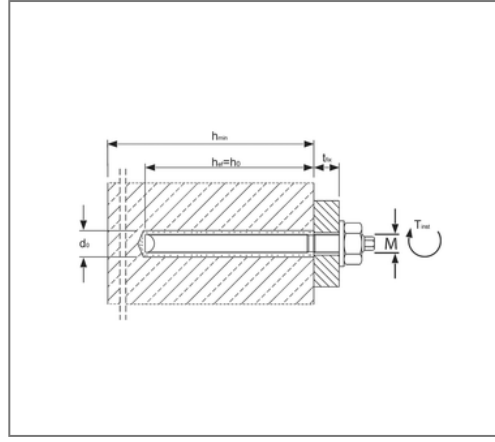


■ Conical stud V A M10 Length 130 mm Steel



Commercial details

Part no.	221821203101
EAN/GTIN	4043315019776
Packing unit	10 pcs
Quantity unit	pcs
Weight	0,0810 kg/pc
Product group	07-221
Price unit	1

QR code



Certification



Specification

Application area	for non-cracked concrete C12/15 to C50/60.
Brand	MKT

Product details

Drill diameter	12 mm
Drilling hole depth	90 mm
max. clamping thickness	30 mm
Depth of anchoring	90 mm
Wrench size nut	17
Wrench size anchor rod	6
Type of mortar cartridge	V-P 10
Length	130 mm
Thread	M10

Technical data

Material	Steel
Surface	galvanized

Remark

Delivery time	3 working days, ex works
---------------	--------------------------