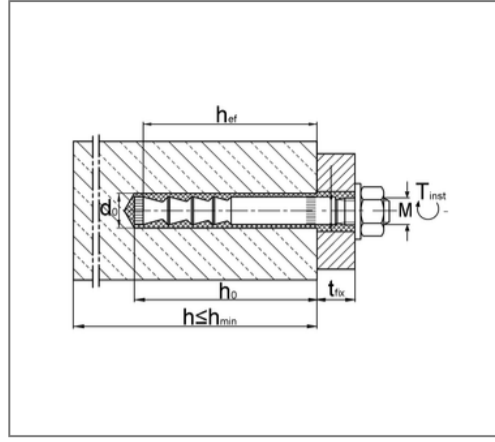


## ■ Conical stud VMZ A 60 M10 Length 85 mm



### Commercial details

|               |               |
|---------------|---------------|
| Part no.      | 221832205101  |
| EAN/GTIN      | 4043315053381 |
| Packing unit  | 10 pcs        |
| Quantity unit | pcs           |
| Weight        | 0,0610 kg/pc  |
| Product group | 07-221        |
| Price unit    | 1             |

### QR code



### Certification



### Specification

|                  |  |
|------------------|--|
| Brand            | MKT  |
| Application area | Für gerissenen und ungerissenen Beton C20/25 bis C50/60. |
| Fire protection  | yes  |
| Application area | Concrete   |

### Technical data

|          |            |
|----------|------------|
| Material | Steel      |
| Surface  | galvanized |

### Product details

|                         |       |
|-------------------------|-------|
| Thread                  | M10   |
| Length                  | 85 mm |
| Wrench size             | 17    |
| Tightening torque       | 15 Nm |
| Drilling hole depth     | 65 mm |
| Length dowel            | 85 mm |
| max. clamping thickness | 10 mm |
| Setting depth           | 63 mm |

### Remark

|               |                          |
|---------------|--------------------------|
| Delivery time | 3 working days, ex works |
|---------------|--------------------------|