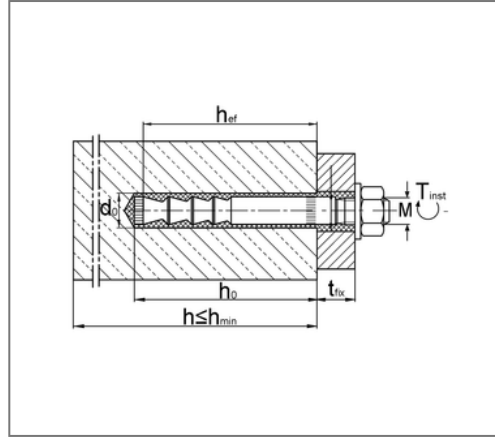


## ■ Conical stud VMZ A 60 M10 Length 135 mm



### Commercial details

Part no.	221832235101
EAN/GTIN	4043315053435
Packing unit	10 pcs
Quantity unit	pcs
Weight	0,0870 kg/pc
Product group	07-221
Price unit	1

### QR code



### Certification



### Specification

Brand	MKT
Application area	Für gerissenen und ungerissenen Beton C20/25 bis C50/60.
Fire protection	yes
Application area	Concrete

### Technical data

Material	Steel
Surface	galvanized

### Product details

Thread	M10
Length	135 mm
Wrench size	17
Tightening torque	15 Nm
Drilling hole depth	65 mm
Length dowel	135 mm
max. clamping thickness	60 mm
Setting depth	63 mm

### Remark

Delivery time	3 working days, ex works
---------------	--------------------------