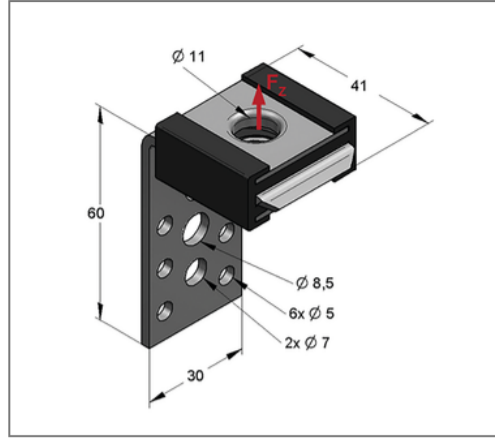
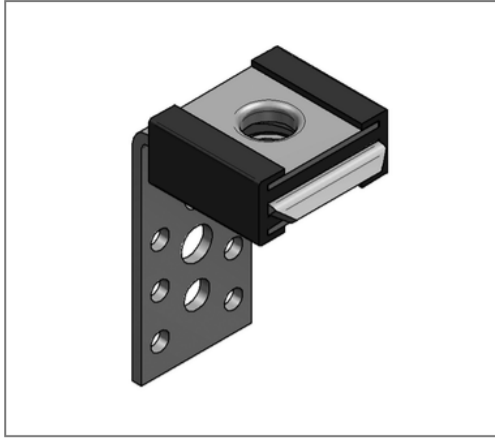


■ Duct holder L Height 60 mm Rubber plugged



Commercial details

Part no.	05900200
EAN/GTIN	4250928414977
Packing unit	50 pcs
Quantity unit	pcs
Weight	0,0792 kg/pc
Product group	08-981
Price unit	100

QR code



Certification



Specification

Application area	For mounting of air ducts
Specification	light

Technical data

Material	Steel
Material type	DC01
Surface	galvanized
min. temperature resistance	-35 °C
max. temperature resistance	100 °C
Sound insulation lining	Rubber EPDM

Product details

Connection	M8/M10
Height	60 mm
Length	41 mm
Material thickness	2,5 mm
Width material	30 mm
load F_z	0,7 kN