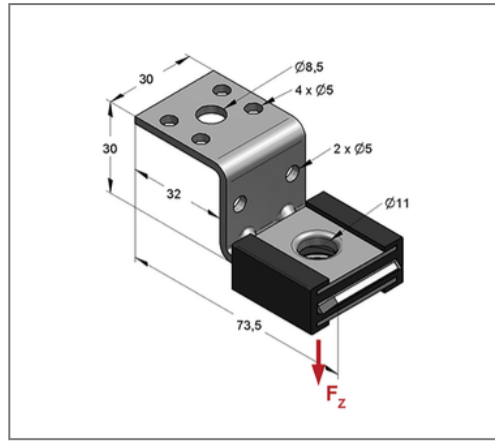
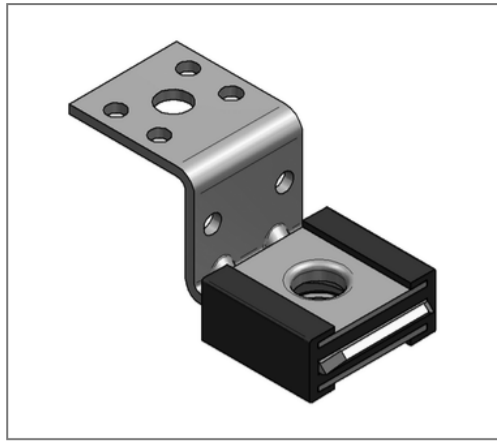


## ■ Duct holder Z Height 30 mm Rubber plugged



### Commercial details

Part no.	05900280
EAN/GTIN	4250928415004
Packing unit	50 pcs
Quantity unit	pcs
Weight	0,0811 kg/pc
Product group	08-981
Price unit	100

### QR code



### Certification



### Specification

Application area	For mounting of air ducts
Specification	light

### Technical data

Material	Steel
Material type	DC01
Surface	galvanized
min. temperature resistance	-35 °C
max. temperature resistance	100 °C
Sound insulation lining	Rubber EPDM

### Product details

Connection	M8/M10
Height	30 mm
Length	73,5 mm
Material thickness	2,5 mm
Width material	30 mm
load $F_{Z}$	0,7 kN