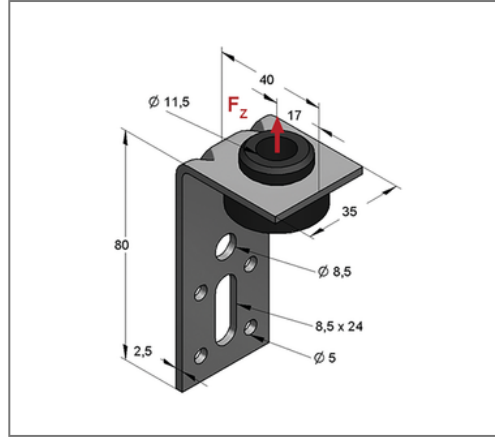
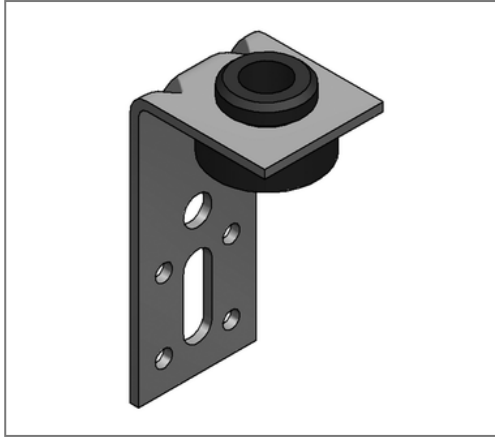


■ Duct holder LL Height 80 mm Rubber plugged



Commercial details

| | |
|---------------|---------------|
| Part no. | 0590022 |
| EAN/GTIN | 4250928414984 |
| Packing unit | 50 pcs |
| Quantity unit | pcs |
| Weight | 0,0842 kg/pc |
| Product group | 08-981 |
| Price unit | 100 |

QR code



Certification



Specification

| | |
|------------------|---------------------------|
| Application area | For mounting of air ducts |
| Specification | light |

Technical data

| | |
|-----------------------------|------------|
| Material | Steel |
| Material type | S235 |
| Surface | galvanized |
| min. temperature resistance | -35 °C |
| max. temperature resistance | 100 °C |
| Sound insulation lining | Rubber SBR |

Product details

| | |
|--------------------|--------|
| Connection | M8/M10 |
| Height | 80 mm |
| Length | 40 mm |
| Material thickness | 2,5 mm |
| Width material | 35 mm |
| load F_z | 0,3 kN |