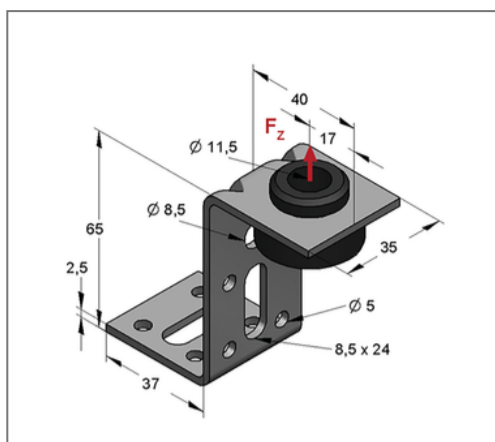
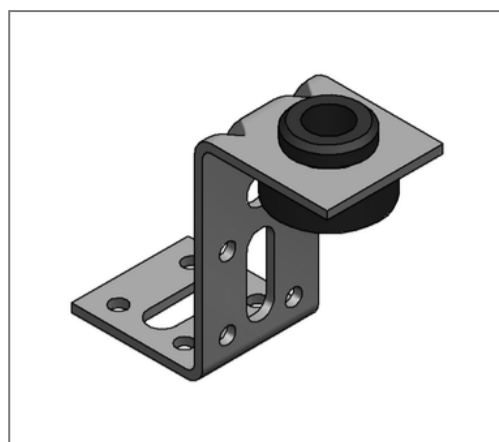


■ Duct holder ZL Height 65 mm Rubber plugged



Commercial details

Part no.	0590027
EAN/GTIN	4250928414991
Packing unit	50 pcs
Quantity unit	pcs
Weight	0,0931 kg/pc
Product group	08-981
Price unit	100

QR code



Certification



Specification

Application area	For mounting of air ducts
Specification	light

Technical data

Material	Steel
Material type	S235
Surface	galvanized
min. temperature resistance	-35 °C
max. temperature resistance	100 °C
Sound insulation lining	Rubber SBR

Product details

Connection	M8/M10
Height	65 mm
Length	77 mm
Material thickness	2,5 mm
Width material	35 mm
load F_Z	0,3 kN