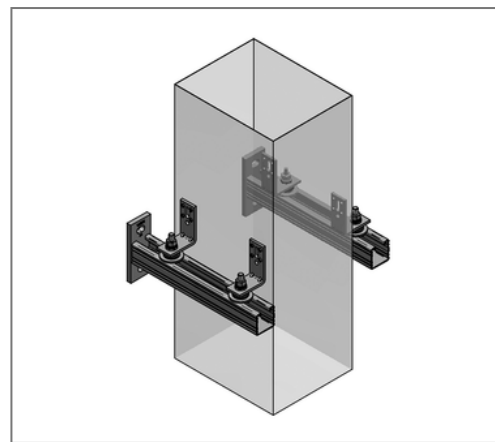
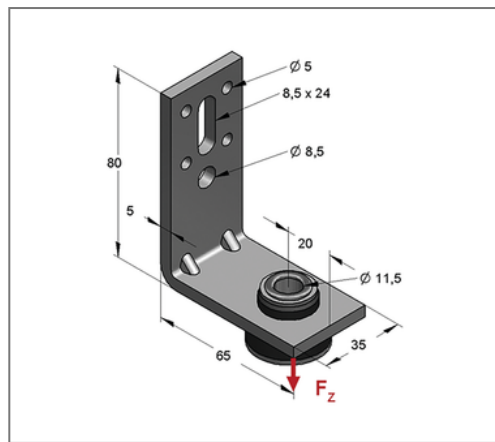


■ Duct holder LSK (riser) Height 80 mm Rubber riveted



Commercial details

Part no.	9998376
EAN/GTIN	4250928446992
Packing unit	50 pcs
Quantity unit	pcs
Weight	0,191 kg/pc
Product group	08-981
Price unit	100

QR code



Certification



Specification

Application area	For mounting of air ducts
Specification	heavy

Technical data

Material	Steel
Material type	S235
Surface	galvanized
min. temperature resistance	-35 °C
max. temperature resistance	100 °C
Sound insulation lining	Rubber SBR

Product details

Connection	M8/M10
Height	80 mm
Length	65 mm
Material thickness	5 mm
Width material	35 mm
load F_z	0,8 kN