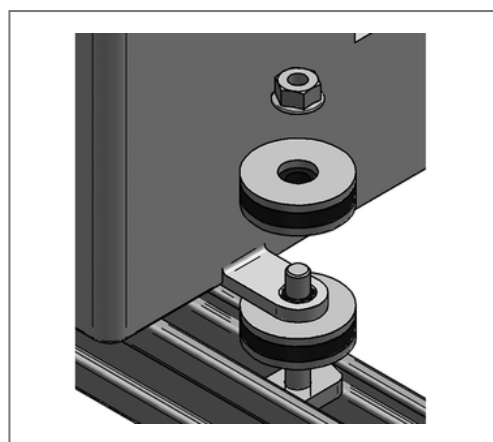
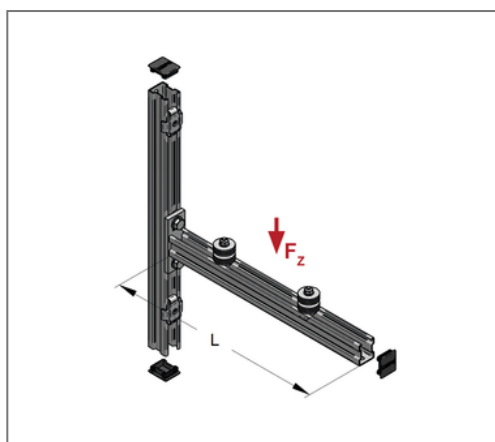
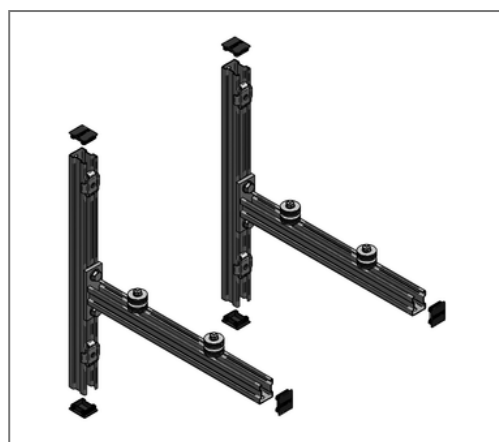


## ■ Console set Stex 35/42 sound insul. Length 450 mm



### Commercial details

Part no.	0813500450
EAN/GTIN	4250928419699
Packing unit	1 set
Quantity unit	set
Weight	4,76 kg/set
Product group	08-991
Price unit	1

### QR code



### Certification



### Specification

Application area	mounting of air conditioning units
Profile type	Stex 35/42/1,5

### Technical data

Material	Steel
Material type	S235
Surface	galvanized
Material sound absorption element	Rubber SBR
min. temperature resistance	-35 °C
max. temperature resistance	100 °C

### Product details

Length	450 mm
total load	2,78 kN
load $F_z$	1,39 kN

### Remark

Notice Console-set without insulating elements available on demand.