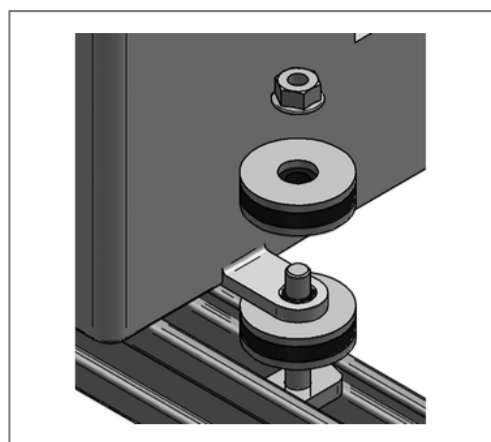
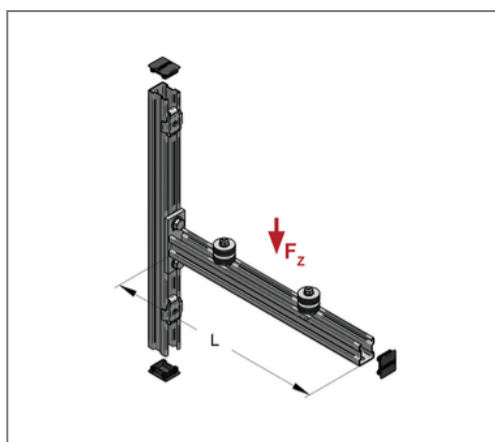
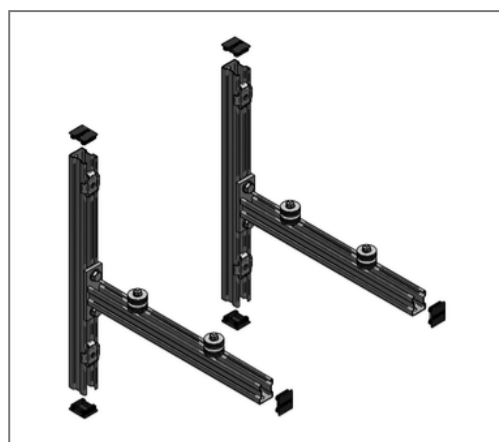


■ Console set Stex 35/42 sound insul. Length 600 mm



Commercial details

Part no.	0813500600
EAN/GTIN	4250928419712
Packing unit	1 set
Quantity unit	set
Weight	5,25 kg/set
Product group	08-991
Price unit	1

QR code



Certification



Specification

Application area	mounting of air conditioning units
Profile type	Stex 35/42/1,5

Technical data

Material	Steel
Material type	S235
Surface	galvanized
Material sound absorption element	Rubber SBR
min. temperature resistance	-35 °C
max. temperature resistance	100 °C

Product details

Length	600 mm
total load	2,08 kN
load Fz	1,04 kN

Remark

Notice	Console-set without insulating elements available on demand.
--------	--