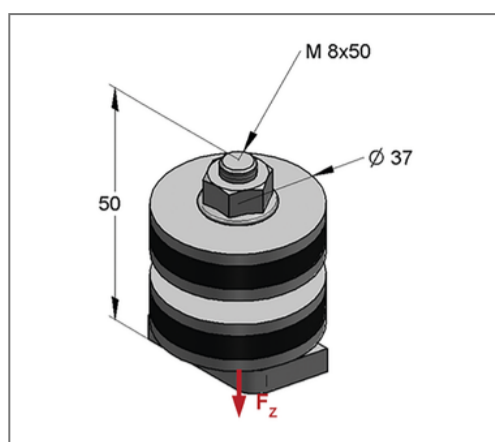
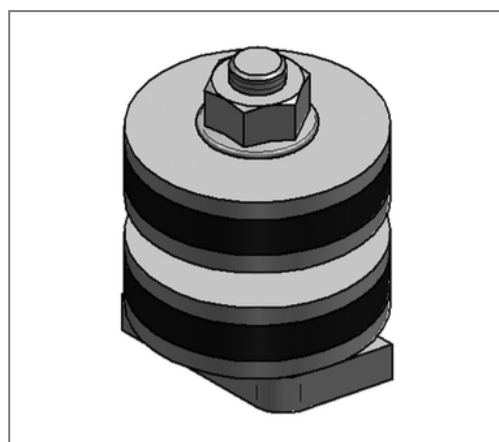


## ■ Insulation element for C-profile 35 Connection M8x50 Hammer head 38x17



### Commercial details

Part no.	0783395
EAN/GTIN	4250928418784
Packing unit	1 pcs
Quantity unit	pcs
Weight	0,152 kg/pc
Product group	08-981
Price unit	1

### QR code



### Certification



### Specification

Application Insulation element for direct mounting on brackets and mounting rails for sound-isolated area mounting.

### Technical data

Material	Steel
Material type	S235
Surface	galvanized
Material sound absorption element	Rubber SBR
Shore hardness	60 ± 5 Shore
min. temperature resistance	-35 °C
max. temperature resistance	100 °C

### Product details

Hammer head type	38x17
Suitable for	C-profile 35/21, Stex 35
Connection	M8x50
load Fz	1,3 kN