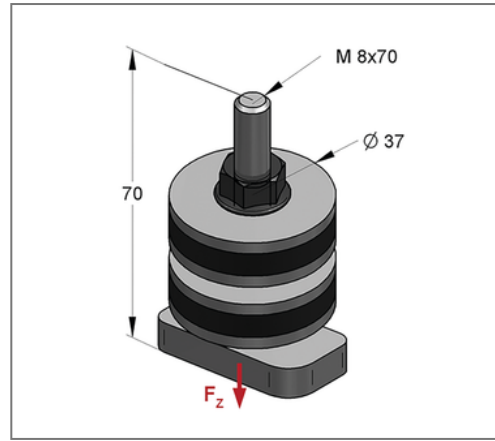
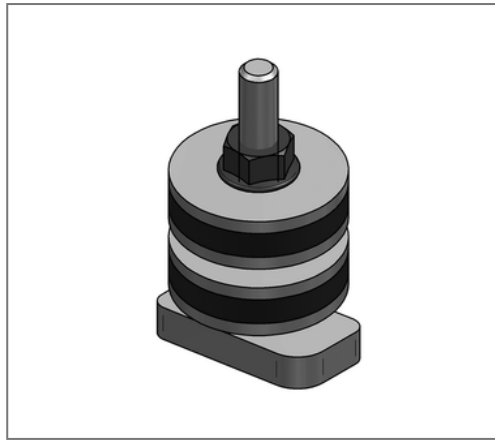


■ Insulation element for C-profile 45 Connection M8x70 Hammer head 40x22



Commercial details

| | |
|---------------|---------------|
| Part no. | 0783396 |
| EAN/GTIN | 4250928418791 |
| Packing unit | 1 pcs |
| Quantity unit | pcs |
| Weight | 0,169 kg/pc |
| Product group | 08-981 |
| Price unit | 1 |

QR code



Certification



Specification

Application Insulation element for direct mounting on brackets and mounting rails for sound-isolated area mounting.

Technical data

| | |
|-----------------------------------|--------------|
| Material | Steel |
| Material type | S235 |
| Surface | galvanized |
| Material sound absorption element | Rubber SBR |
| Shore hardness | 60 ± 5 Shore |
| min. temperature resistance | -35 °C |
| max. temperature resistance | 100 °C |

Product details

| | |
|------------------|--------------------------------------|
| Hammer head type | 40x22 |
| Suitable for | C-profile 45/26, 45/45, 45/60, 45/75 |
| Connection | M8x70 |
| load Fz | 1,3 kN |