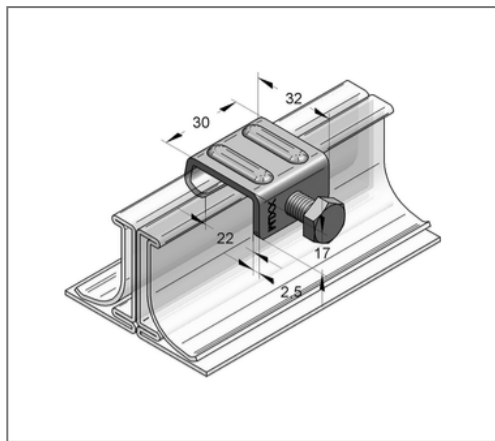
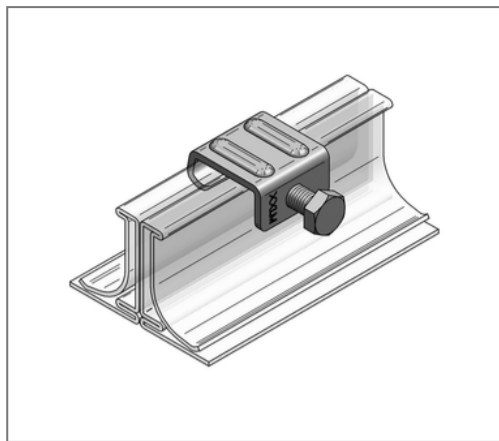


■ Duct clamp Size 1 Material dimension 30x2,5 mm



Commercial details

Part no.	0593001
EAN/GTIN	4250928415387
Packing unit	50 pcs
Quantity unit	pcs
Weight	0,0475 kg/pc
Product group	08-982
Price unit	100

QR code



Specification

Application area	Clamping range 22 mm
------------------	----------------------

Technical data

Material	Steel
Material type	S235
Surface	galvanized

Product details

Material dimension	30x2,5 mm
Tightening torque	4 Nm