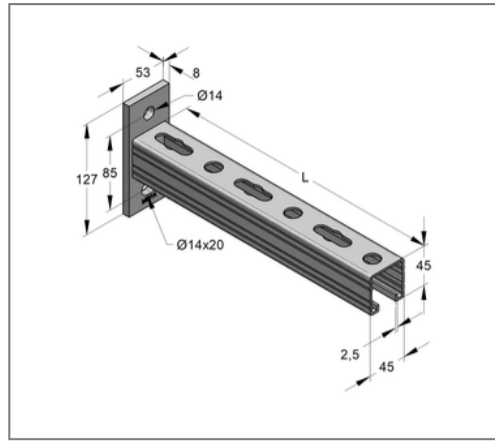
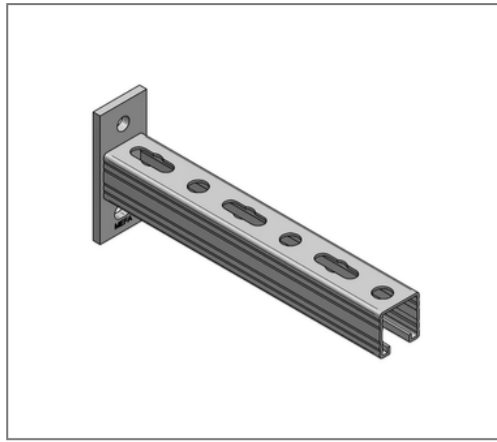


## ■ Console C-profile 45/45 SP L= 315 mm Plate vertical galv.



### Commercial details

Part no.	9992306
EAN/GTIN	4250928448866
Packing unit	15 pcs
Quantity unit	pcs
Weight	1,30 kg/pc
Product group	02-083
Price unit	1

### QR code



### Specification

Application Console for the production of cantilever structures  
area for the support of suspended and standing pipe  
loads for sprinkler piping.

### Technical data

Material	Steel
Surface	galvanized

### Product details

Width plate	53 mm
Length plate	127 mm
Hole distance	85 mm
Plate thickness	8 mm
Width profile	45 mm
Profile height	45 mm
Length console L	315 mm
Elongated hole plate	14x20 mm
load F1	3,32 kN
load F2	1,66 kN
load q0	10,53 kN/m
Profile thickness	2,5 mm