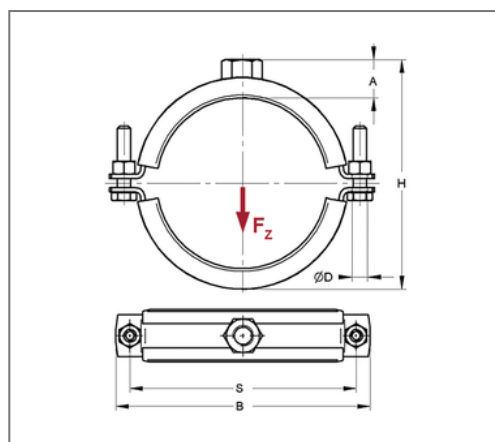
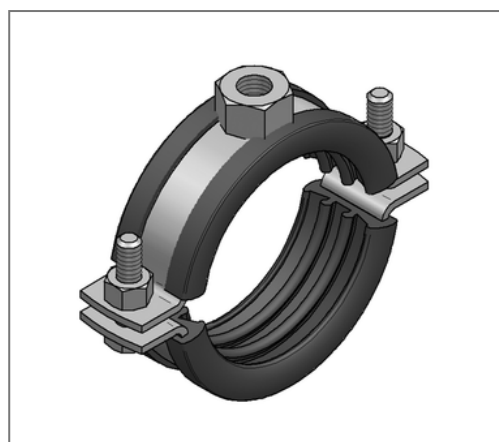


■ Pipe clamp Stainless steel V4A 20x1,5 35 - 40 mm M8 TPE



Commercial details

Part no.	0498178
EAN/GTIN	4250928413819
Packing unit	50 pcs
Quantity unit	pcs
Weight	0,0770 kg/pc
Product group	13-049
Price unit	100

QR code



Certification



Specification

Application area	Pipe clamp for fixing pipes.
Specification	two-part
Connection	M8
Closure	Screwed closure

Product details

Center distance S	65 mm
Connection height A	11 mm
Width B	78 mm
Colour sound insulation lining	black
Höhe H	51 - 56 mm
Material dimension	20x1,5 mm
load F_z	0,75 kN
Clamping range	35 - 40 mm
Closure screw	M6

Technical data

Material	Stainless steel
Material type	V4A
Insulation thickness	3,5 mm
Temperature resistance	-35 °C - 100 °C
Sound insulation lining	TPE

Remark

Delivery time	2 working days, ex works
Notice	Other sizes and connection threads on demand.