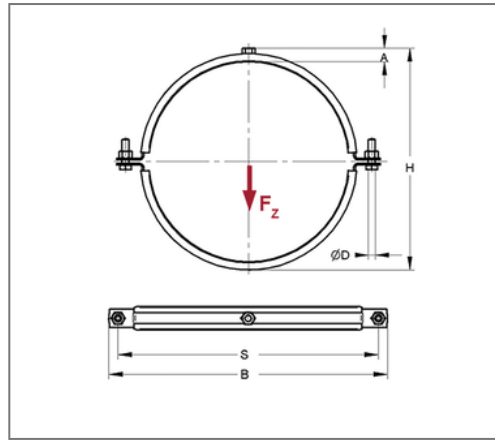


■ Ventilation pipe clamp Stainless steel V2A 20x2 mm DN 160 M8 TPE



Commercial details

Part no.	0468124
EAN/GTIN	4250928411914
Packing unit	50 pcs
Quantity unit	pcs
Weight	0,316 kg/pc
Product group	13-046
Price unit	100

QR code



Certification



Specification

Application area	pipe clamp for fixing ventilation pipes.
Specification	two-part
Connection	M8
Closure	Screwed closure

Product details

Center distance S	216 mm
Connection height A	16 mm
Width B	236 mm
Colour sound insulation lining	black
Höhe H	189 mm
Material dimension	20x2 mm
load F_z	1 kN
Outer pipe diameter	164 mm
Closure screw	M8

Technical data

Material	Stainless steel
Material type	V2A
Insulation thickness	6 mm
Temperature resistance	-35 °C - 100 °C
Sound insulation lining	TPE

Remark

Delivery time	2 working days, ex works
Notice	Other sizes and connection threads or with silicone soundinsulation on demand.