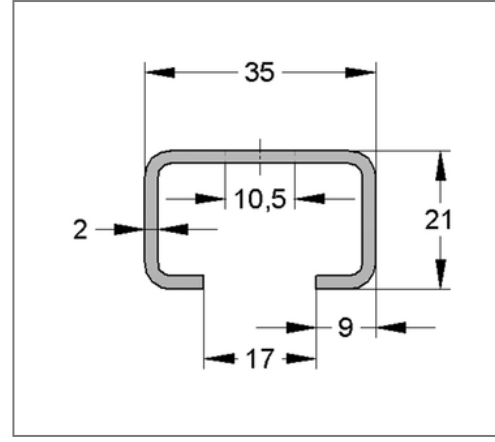
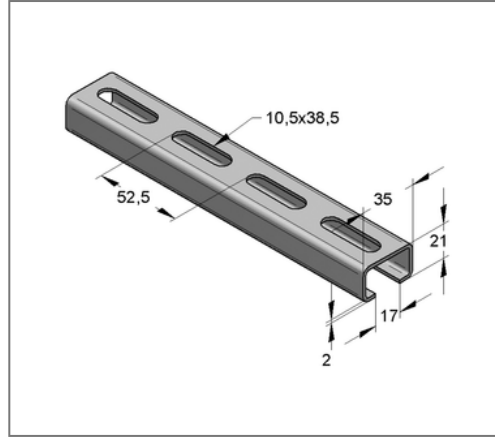
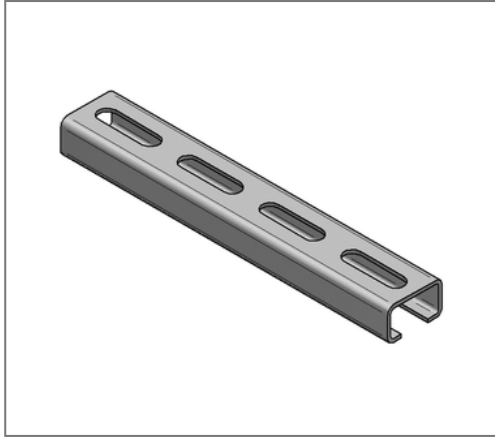


■ Profile rail C-profile V4A 35 / 21 / 2 mm L= 3 m



Commercial details

Part no.	0800151
EAN/GTIN	4250928419224
Packing unit	18 m
Bundle	1080 m
Quantity unit	m
Weight	1,21 kg/m
Product group	13-054
Price unit	1

QR code



Certification



Specification

Specification	untoothed, perforated
---------------	-----------------------

Product details

Width	35 mm
Height	21 mm
Thickness	2 mm
Length	3 m
Elongated hole	10,5x38,5 mm
Area (least cross section of the profile rail)	1,44 cm ²
Axial angular impulse I _y	0,84 cm ⁴
Axial angular impulse I _z	2,94 cm ⁴
Grid dimension	52,5 mm
Rail slot width	17,0 mm
Centroid distance e _o	0,97 cm
Centroid distance e _u	1,13 cm
Centroid distance e _z	1,75 cm
Elastic limit	240 N/mm ²
Radius of inertia i _y	0,76 cm
Radius of inertia i _z	1,43 cm

Technical data

Material	Stainless steel
Material type	V4A

Remark

Notice	Full bundle, only
--------	-------------------

Product details

Section modulus W_Y	0,74 cm ³
Section modulus W_Z	1,68 cm ³