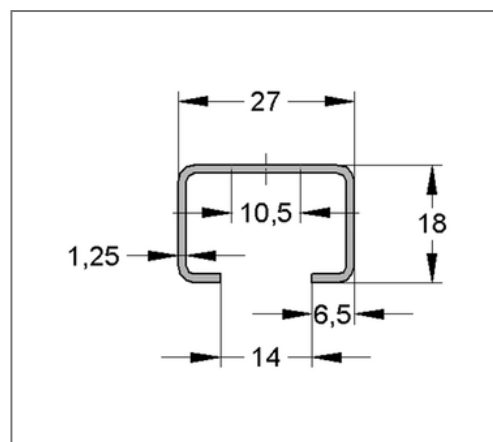
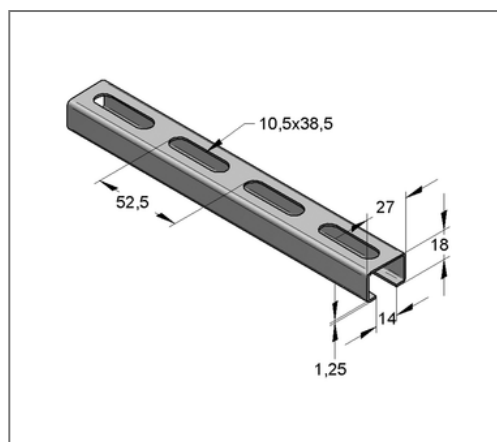
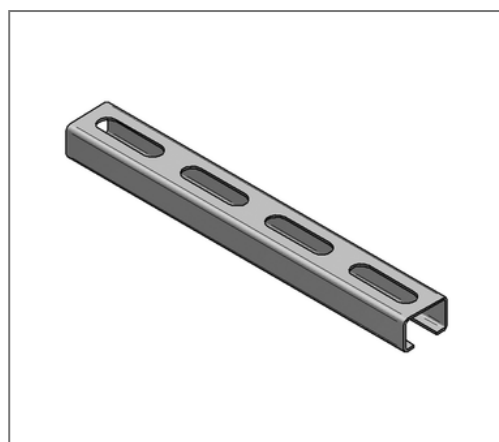


■ Profile rail C-profile V2A 27 / 18 / 1,25 mm L= 2 m



Commercial details

Part no.	0800050
EAN/GTIN	4250928419170
Packing unit	20 m
Bundle	800 m
Quantity unit	m
Weight	0,610 kg/m
Product group	13-048
Price unit	1

QR code



Certification



Specification

Specification	untoothed, perforated
---------------	-----------------------

Technical data

Material	Stainless steel
Material type	V2A

Product details

Width	27 mm
Height	18 mm
Thickness	1,25 mm
Length	2 m
Elongated hole	10,5x38,5 mm
Area (least cross section of the profile rail)	0,67 cm ²
Axial angular impulse I _y	0,29 cm ⁴
Axial angular impulse I _z	0,89 cm ⁴
Grid dimension	52,5 mm
Rail slot width	14,0 mm
Centroid distance e _o	0,85 cm
Centroid distance e _u	0,95 cm
Centroid distance e _z	1,35 cm
Elastic limit	230 N/mm ²
Radius of inertia i _y	0,66 cm
Radius of inertia i _z	1,15 cm

Remark

Notice	Full bundle, only
--------	-------------------

Product details

Section modulus Wy	0,31 cm ³
Section modulus Wz	0,66 cm ³